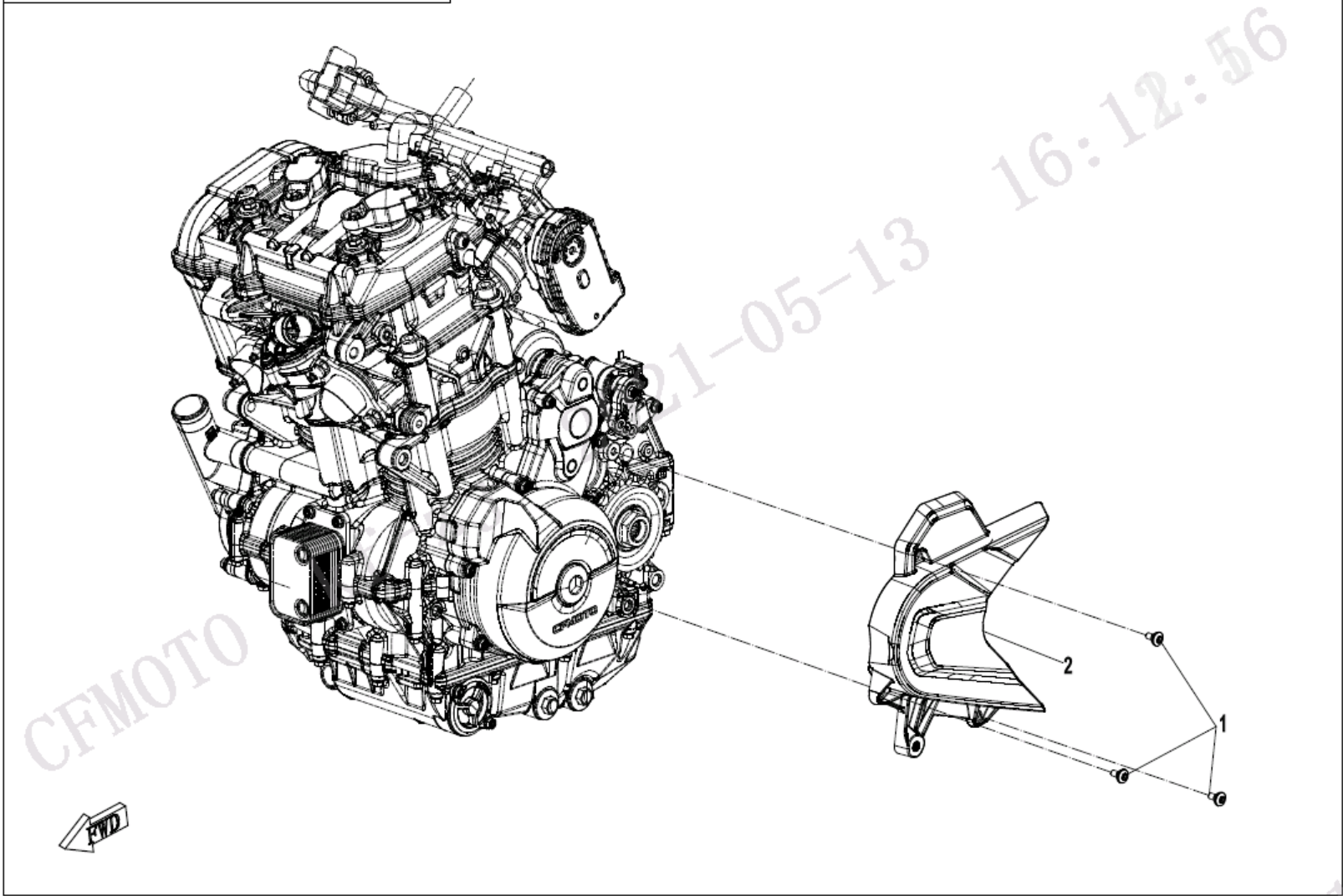
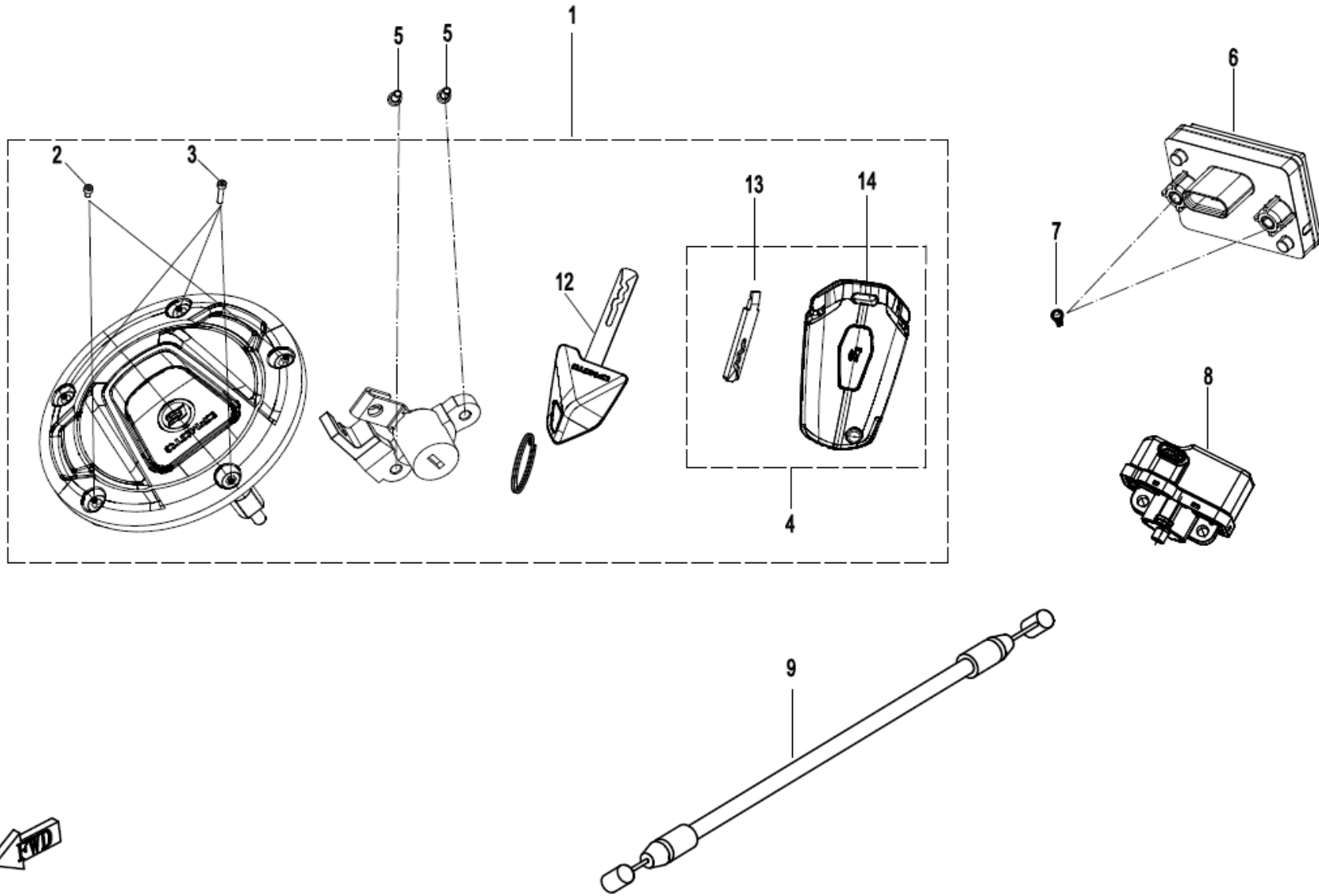


发动机安装附件/ ENGINE FITTINGS



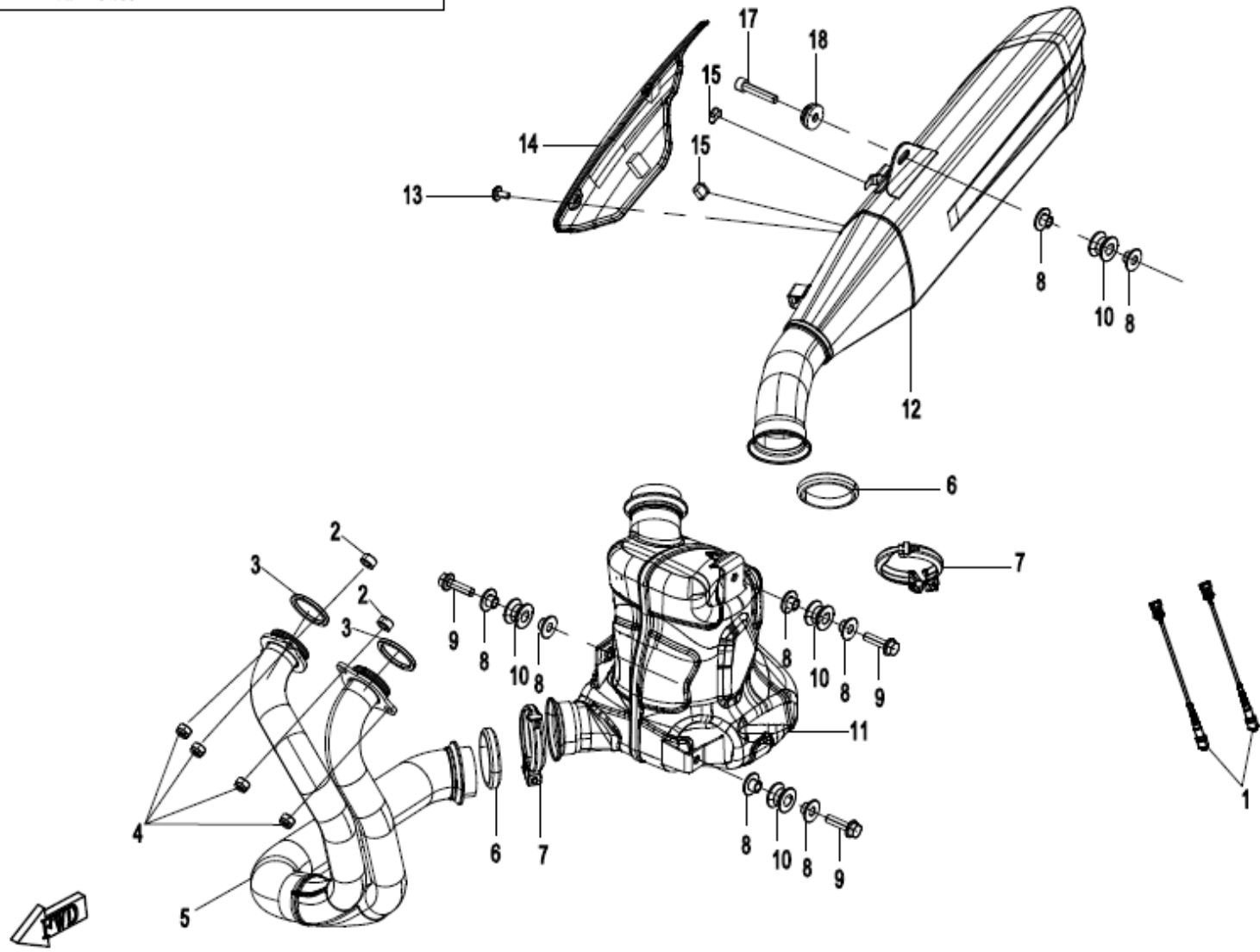
NO.	CODE	EN DESCRIPTION	QTY	REMARKS
F00-01	6WWV-046502-5000	STEPPED SCREW M5	3	
F00-02	6WWV-000102-5000	GUARD, SMALL SPROCKET	1	

锁具/LOCK KIT



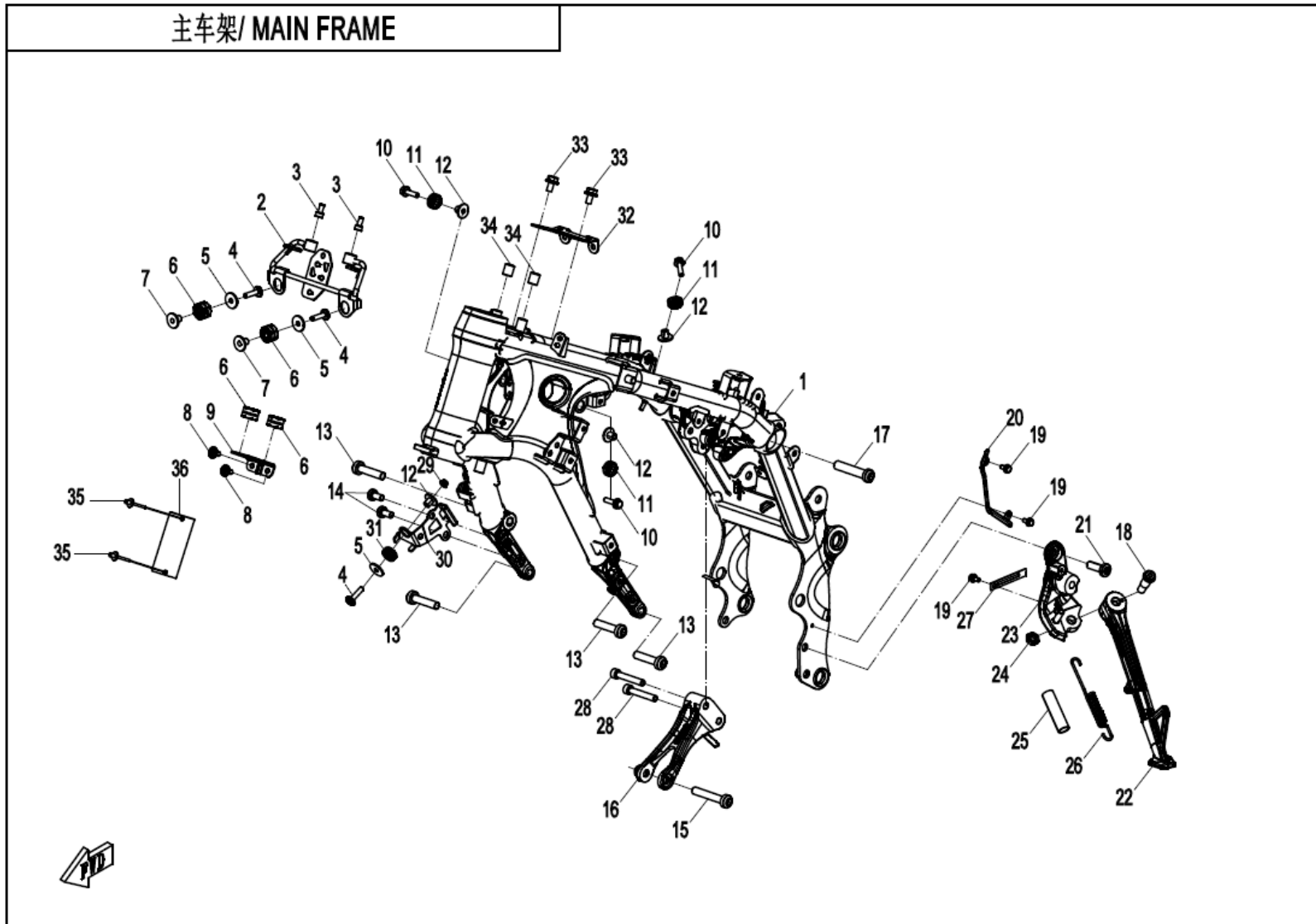
NO.	CODE	EN DESCRIPTION	QTY	REMARKS
F01-B-01	6KWV-011200-1001	LOCK KIT	1	WHITE BIKE
F01-B-01	6KWV-011200-1101	LOCK KIT	1	BLACK BIKE
F01-B-02	30102-050008900	INNER HEX SCREW M5x8	2	
F01-B-03	30102-050025900	INNER HEX SCREW M5x25	3	
F01-B-04	6KWV-016500-1100	BLUETOOTH KEY ASSY	1	
F01-B-05	30102-050012810	SCREW M5x12	2	
F01-B-06	6KWV-016300-1100	KEY ENODEB	1	
F01-B-07	6WV-046502-5000	STEPPED SCREW M5	2	
F01-B-08	6KWV-016200-1100	ELECTRONIC STEM LOCK	1	
F01-B-09	6KWV-010010-1000	SEAT CABLE	1	
F01-B-10	6GU#-010320-6000	LOCK SEAT, SEAT	1	
F01-B-11	30006-060016870	BOLT M6x16	2	
F01-B-12	EB8V-010120-1000	KEY	1	
F01-B-13	6KMV-011020-B001-22	KEY BILLET	1	
F01-B-14	6KWV-011130-1100	BLUETOOTH REMOTE KEY	1	

排气消声器/ MUFFLER



NO.	CODE	EN DESCRIPTION	QTY	REMARKS
F02-01	OHU0-176000	OXYGEN SENSOR	2	
F02-02	6WWV-020001-5000	BUSHING, EXHAUST PORT	2	
F02-03	6WWV-020004-5000	SEAL GASKET, EXHAUST	2	
F02-04	K-51010086100	SELF-LOCKING NUT M8 CU	4	
F02-05	6WWV-021100-5001	EXHAUST PIPE ASSY	1	
F02-06	6L30-021001	SEAL SLEEVE 1, GRAPHITE	2	
F02-07	C63605058100	CLAMP	2	
F02-08	6WWV-020002-5000	BUSHING, MUFFLER BODY	8	
F02-09	30006-080030810	BOLT M8x30	3	
F02-10	6WWV-020003-5000	RUBBER SLEEVE, MUFFLER BODY	4	
F02-11	6KWV-021200-1002	FRONT MUFFLER BODY	1	
F02-12	6KWV-021300-1001	REAR MUFFLER ASSY	1	
F02-13	6WWV-046702-5000	INNER HEX SCREW M6x12	1	
F02-14	6KWV-021001-1000	MUFFLER GUARD	1	
F02-15	6GU#-021005-6000	GUARD RUBBER SLEEVE	2	
F02-16	30204-080810	NUT M8	1	
F02-17	30102-080040810	SCREW M8x40	1	

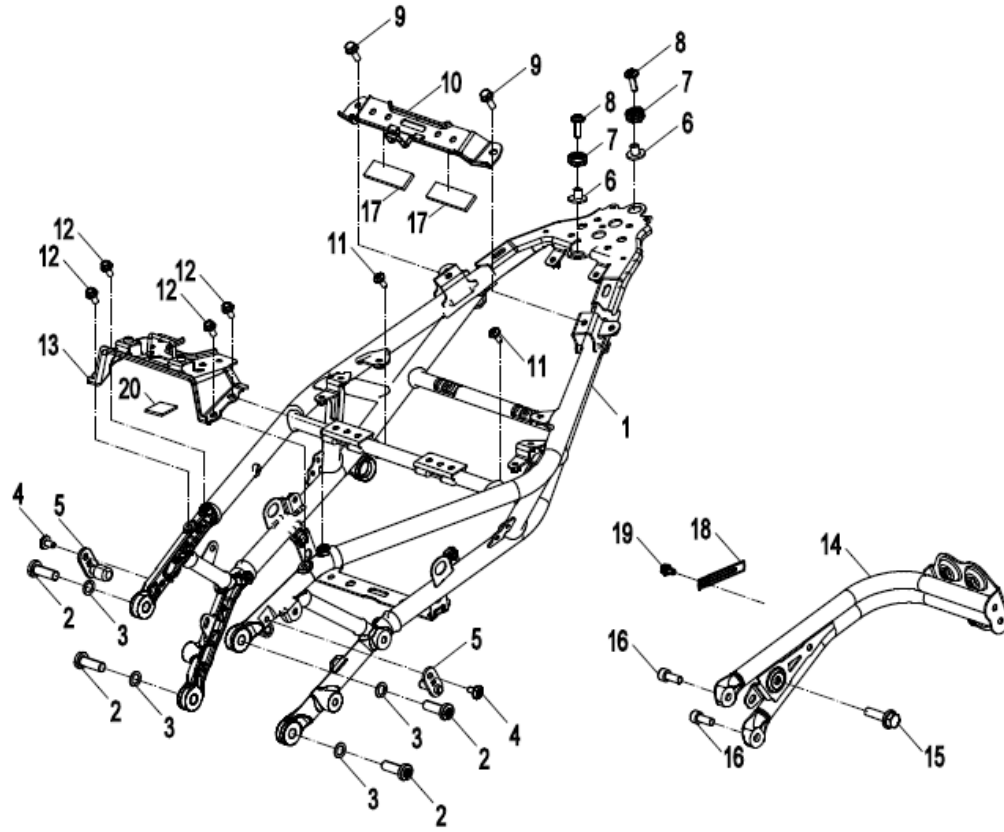
F03-1 MAIN FRAME



NO.	CODE	EN DESCRIPTION	QTY	REMARKS
F03-1-01	6KWV-031000-1000-0BP00	FRONT FRAME ASSY	1	
F03-1-02	6KWV-030050-1001	HEADLIGHT UPPER BRACKET	1	
F03-1-03	30102-060012810	SCREW	2	
F03-1-04	6WVV-047002-5000	INNER HEX SCREW M6x25	3	

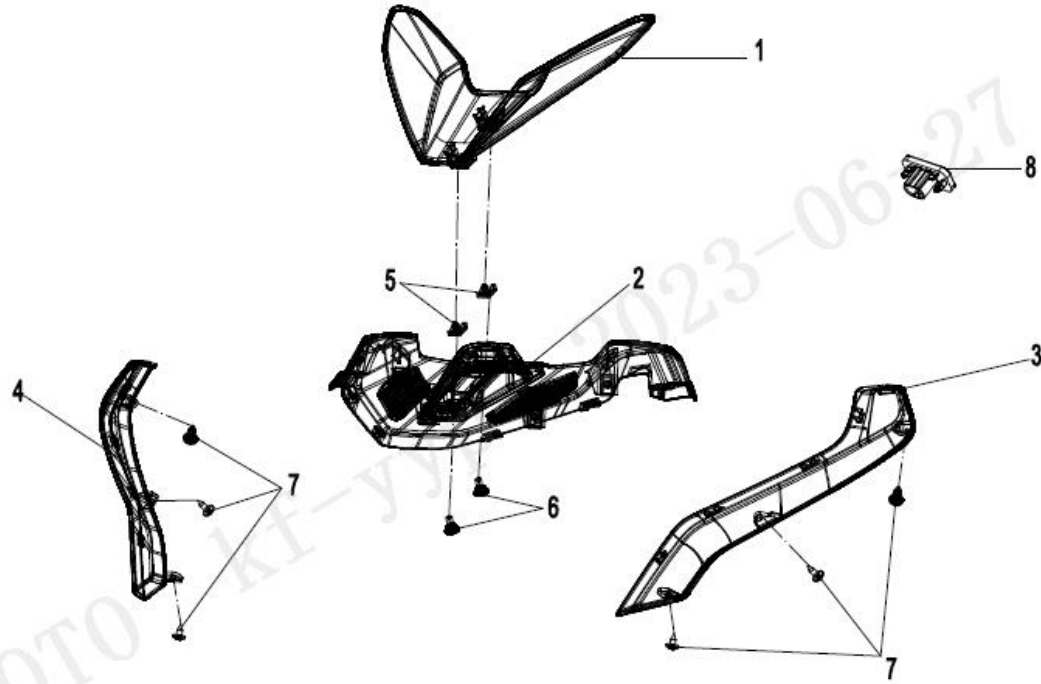
NO.	CODE	EN DESCRIPTION	QTY	REMARKS
F03-1-05	30301-060470	RETAINER	3	
F03-1-06	6KWV-030003-1000	HEADLIGHT BRACKET SLEEVE	4	
F03-1-07	6KM0-120010	T-TYPE BUSHING ASSY	2	
F03-1-08	6WV-046702-5000	INNER HEX SCREW M6x12	2	
F03-1-09	6KWV-030002-1000	HEADLIGHT LOWER BRACKET	1	
F03-1-10	30006-060022810	BOLT	3	
F03-1-11	6KM#-181001-8001	DAMPING RUBBER MAT	3	
F03-1-12	9060-180029	RUBBER CUSHION TUBE, RADIATOR	4	
F03-1-13	6WV-030011-5000	INNER HEX SCREW M10x45	4	
F03-1-14	6WV-030013-5000	INNER HEX SCREW M8x16	2	
F03-1-15	6L30-030091	BOLT M10x60	1	
F03-1-16	6WV-030009-5000	ENGINE HANGING BRACKET	1	
F03-1-17	6WV-030018-5000	BOLT M12x60	1	
F03-1-18	6GU#-030008-6000	BOLT, SIDE BRACKET	1	
F03-1-19	30006-050012810	BOLT M5x12	3	
F03-1-20	6WV-030003-5000	BRACKET, SIDE STAND SWITCH CABLE	1	
F03-1-21	6WV-030017-5000	INNER HEX SCREW M10x30	1	
F03-1-22	6KWV-030001-1000	SIDE STAND	1	WHITE BIKE
F03-1-22	6KWV-030001-1000-10	SIDE STAND	1	BLACK BIKE
F03-1-23	6KWV-030010-1000	SIDE STAND BRACKET	1	
F03-1-24	30208-102810	NUT M10x1.25	1	
F03-1-25	6L30-030071-10000	SPRING SLEEVE, SIDE BRACKET	1	
F03-1-26	6L32-030050	SPRING, SIDE BRACKET	1	
F03-1-27	0180-014010	WIRE CLIP	1	
F03-1-28	30102-080050810	INNER HEX SCREW M8x50	2	
F03-1-29	30204-060870	NUT M6	1	
F03-1-30	6KWV-030060-1000	HORN BRACKET	1	
F03-1-31	6WV-030019-5000	RUBBER BUSHING	1	
F03-1-32	6KWV-030070-1000	ROLL-OVER SENSOR SEAT	1	
F03-1-33	30006-060012870	BOLT M6x12	2	ALT:- 30006-060012810
F03-1-34	6KWV-030004-1000	POWER LOCK BUSHING	2	
F03-1-35	30902-0401320	BLIND RIVET 4x8	2	
F03-1-36	6WV-190012-5000	VIN PLATE	1	

副车架/ REAR FRAME



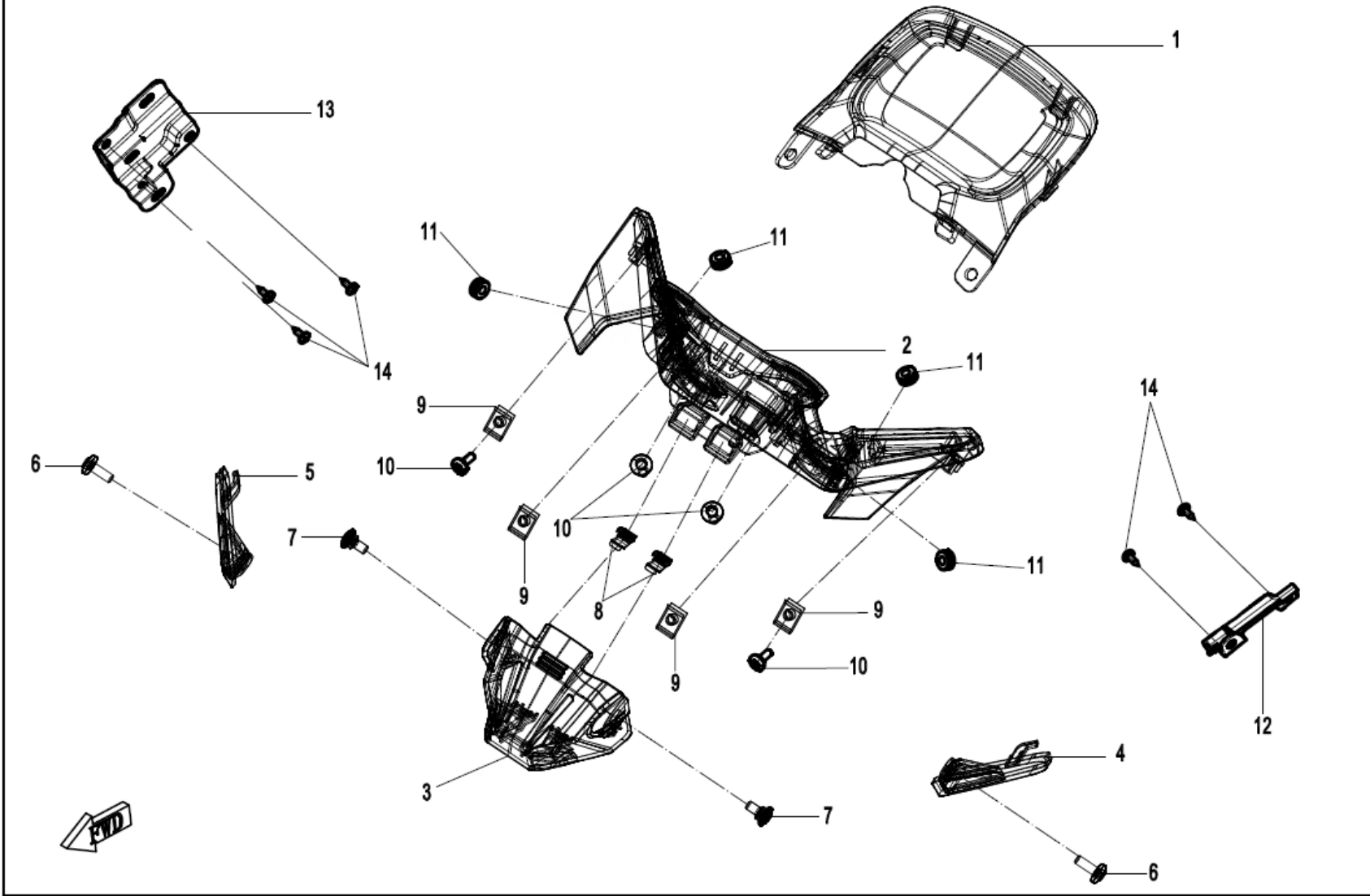
NO.	CODE	EN DESCRIPTION	QTY	REMARKS
F03-2-01	6KWV-032000-1000-0YJ00	REAR FRAME ASSY	1	WHITE BIKE
F03-2-01	6KWV-032000-1000-0DH00	REAR FRAME ASSY	1	BLACK BIKE
F03-2-02	6WWV-030017-5000	INNER HEX SCREW M10x30	4	
F03-2-03	6WWV-030023-5000	NORDLOCK_WASHER_M10	4	
F03-2-04	6WWV-046702-5000	INNER HEX SCREW M6x12	2	
F03-2-05	6WWV-030070-5000	AIR FILTER MOUNTING ASSY	2	
F03-2-06	9060-180029	RUBBER CUSHION TUBE, RADIATOR	2	
F03-2-07	6WWV-030019-5000	RUBBER BUSHING	2	
F03-2-08	6WWV-046902-5000	INNER HEX SCREW M6x20	2	
F03-2-09	30006-060016810	BOLT M6x16	2	
F03-2-09	30006-060016870	BOLT M6x16	2	
F03-2-10	6KWV-030040-1000	FRONT SEAT REAR BRACKET	1	
F03-2-11	6WWV-047102-5000	INNER HEX SCREW M5x14	2	
F03-2-12	0010-021019-0010	BOLT M6x12	4	
F03-2-13	6KWV-030030-1000	FRONT SEAT FRONT BRACKET	1	
F03-2-14	6GU#-030200-6000	BRACKET, REAR FENDER	1	
F03-2-15	30006-080025810	BOLT M8x25	1	
F03-2-16	30102-080020810	SCREW M8x20	2	
F03-2-17	FB6V-042042-1000	BATTERY SPONGE FILL	2	
F03-2-18	0180-014010	WIRE CLIP	1	
F03-2-19	30006-060012870	BOLT M6x12	2	
F03-2-20	6KWV-041115-1000	CUSHION MAT	1	

塑料件 I / PLASTICS I



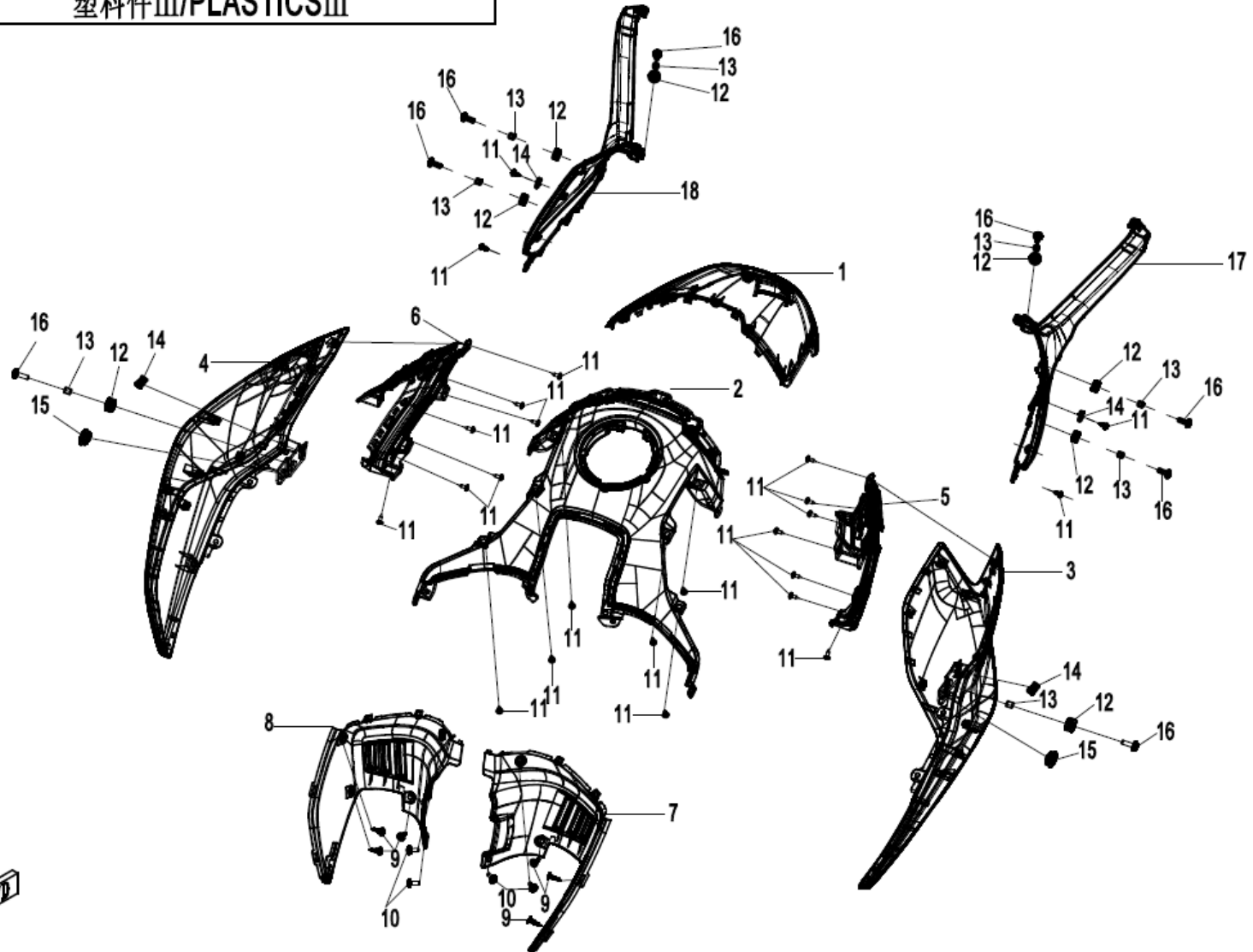
NO.	CODE	EN DESCRIPTION	QTY	REMARKS
F04-1-01	6KWV-040201-1001	DEFLECTOR DECO GUARD	1	
F04-1-02	6KWV-040202-1000	HEADLIGHT UPPER DECO GUARD	1	
F04-1-03	6KWV-040203-1000-OHD00	HEADLIGHT LH DECO GUARD	1	WHITE BIKE
F04-1-03	6KWV-040203-1000-OD500	HEADLIGHT LH DECO GUARD	1	BLACK BIKE
F04-1-04	6KWV-040204-1000-OHD00	HEADLIGHT RH DECO GUARD	1	WHITE BIKE
F04-1-04	6KWV-040204-1000-OD500	HEADLIGHT RH DECO GUARD	1	BLACK BIKE
F04-1-05	6KM#-040081-8000-M1	NUT CLIP M5	2	
F04-1-06	6WV-046501-5000	SCREW	2	
F04-1-07	30110-420130070	SELF-TAPPING SCREW ST4.2x13-C-H	6	
F04-1-08	6AQV-041117-1002	USB PLUG COVER	1	

塑料件 II / PLASTICS II



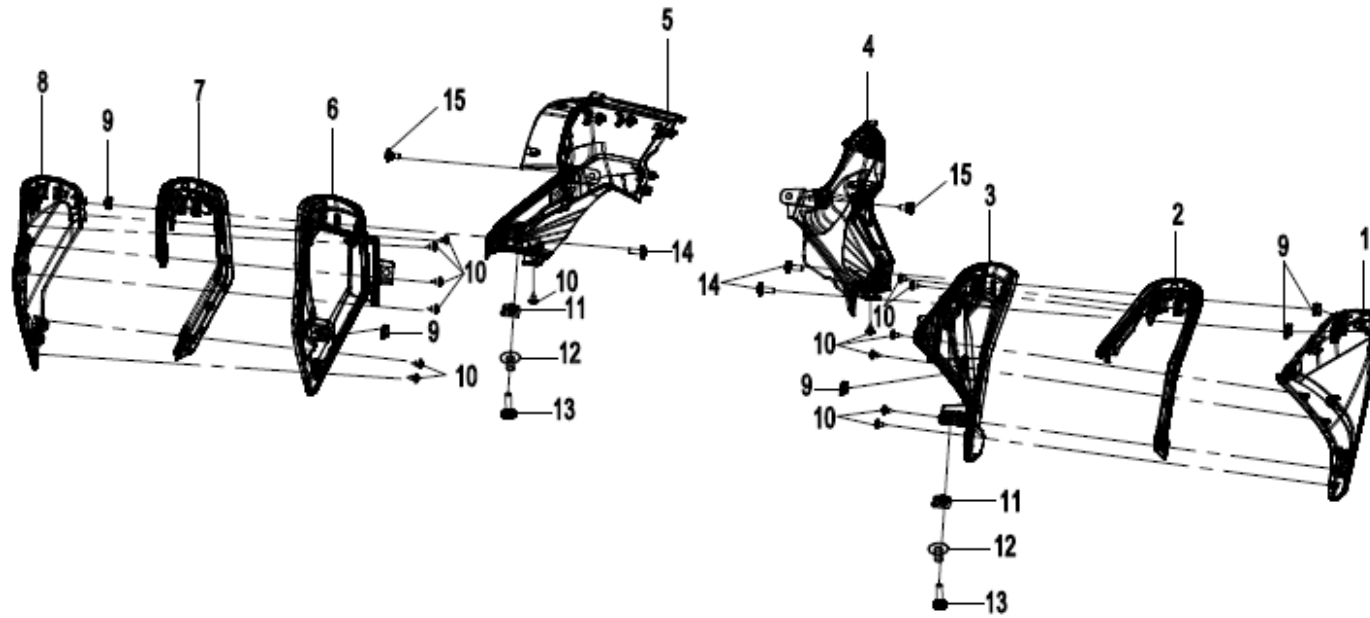
NO.	CODE	EN DESCRIPTION	QTY	REMARKS
F04-2-B-01	6KWV-040412-1101	IGNITION LOCK DECO GUARD	1	
F04-2-B-02	6KWV-040301-1101	DASHBOARD BRACKET	1	
F04-2-B-03	6KWV-040302-1100	DASHBOARD DECO GUARD	1	
F04-2-B-04	6KWV-040306-1100	LH AMBIENT LIGHT DECO GUARD	1	
F04-2-B-05	6KWV-040307-1100	RH AMBIENT LIGHT DECO GUARD	1	
F04-2-B-06	6WWV-047102-5000	INNER HEX SCREW M5x14	2	
F04-2-B-07	6WWV-046502-5000	STEPPED SCREW M5	2	
F04-2-B-08	8080-000001	CLASP	2	
F04-2-B-09	6KM#-040081-8000-M1	NUT CLIP M5	4	
F04-2-B-10	6WWV-047102-5000	INNER HEX SCREW M5x14	4	
F04-2-B-11	6KWV-040305-1100	DASHBOARD RUBBER	4	
F04-2-B-12	6KWV-041110-1100	KEY ENODEB BRACKET	1	
F04-2-B-13	6KWV-041111-1100	AMBIENT LIGHT CABLE BRACKET	1	
F04-2-B-14	30110-421130010	SCREW ST4.2x13	5	

塑料件III/PLASTICSIII



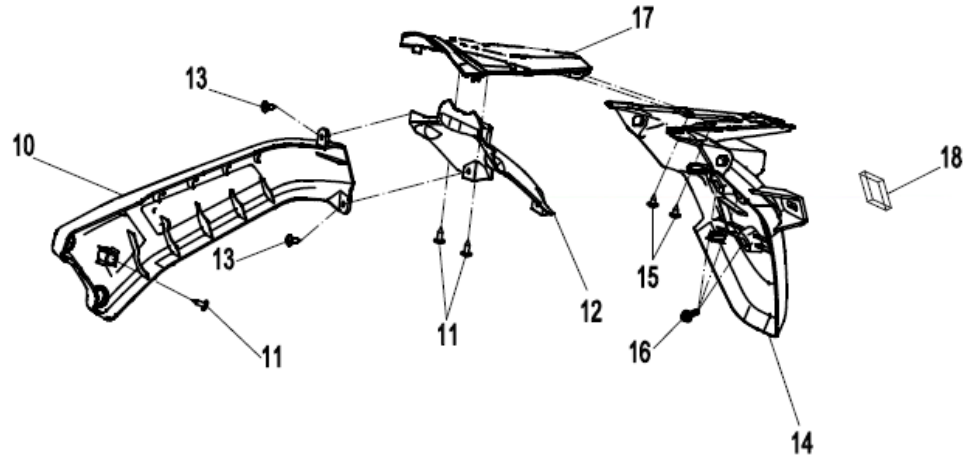
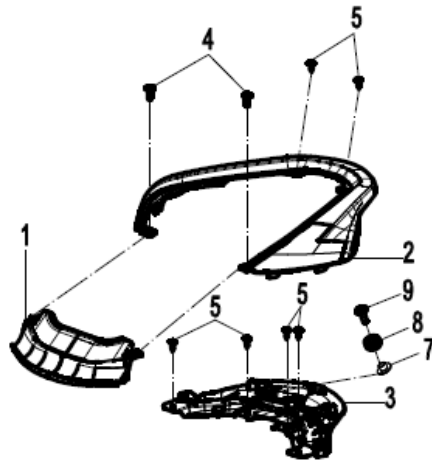
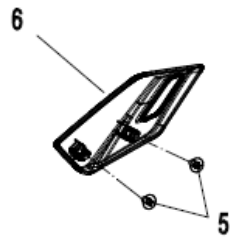
NO.	CODE	EN DESCRIPTION	QTY	REMARKS
F04-3-01	6KWV-040419-1000-10	FUEL TANK REAR DECO PLATE DECAL ASSY	1	WHITE BIKE
F04-3-01	6KWV-040402-1000-0D000	FUEL TANK REAR DECO PLATE	1	BLACK BIKE
F04-3-02	6KWV-040401-1001	FUEL TANK UPPER DECO PLATE	1	
F04-3-03	6KWV-040403-1000-0D500	FUEL TANK LH DECO PLATE	1	
F04-3-04	6KWV-040404-1000-0D500	FUEL TANK RH DECO PLATE	1	
F04-3-05	6KWV-040405-1000	FUEL TANK LH DECO STRIP	1	
F04-3-06	6KWV-040406-1000	FUEL TANK RH DECO STRIP	1	
F04-3-07	6KWV-040407-1001	FUEL TANK LH FRONT DECO PLATE	1	
F04-3-08	6KWV-040408-1001	FUEL TANK RH FRONT DECO PLATE	1	
F04-3-09	8080-041130	PLASTIC SCREW	6	
F04-3-10	6WV-047102-5000	INNER HEX SCREW M5x14	4	
F04-3-11	30110-421130010	SCREW ST4.2x13	24	
F04-3-12	6090-040302	RUBBER DAMPER	8	
F04-3-13	6090-040303	BUSHING	8	
F04-3-14	8010-000002	TOOL ST4.2	4	
F04-3-15	8080-040064	DAMPER, FRONT FENDER	2	
F04-3-16	6WV-046902-5000	INNER HEX SCREW M6x20	8	
F04-3-17	6KWV-040421-1000-10	FUEL TANK LH REAR DECO PLATE DECAL ASSY	1	WHITE BIKE
F04-3-17	6KWV-040409-1000-0D000	FUEL TANK LH REAR DECO PLATE	1	BLACK BIKE
F04-3-18	6KWV-040420-1000-10	FUEL TANK RH REAR DECO PLATE DECAL ASSY	1	WHITE BIKE
F04-3-18	6KWV-040410-1000-0D000	FUEL TANK RH REAR DECO PLATE	1	BLACK BIKE

塑料件IV/PLASTICS IV



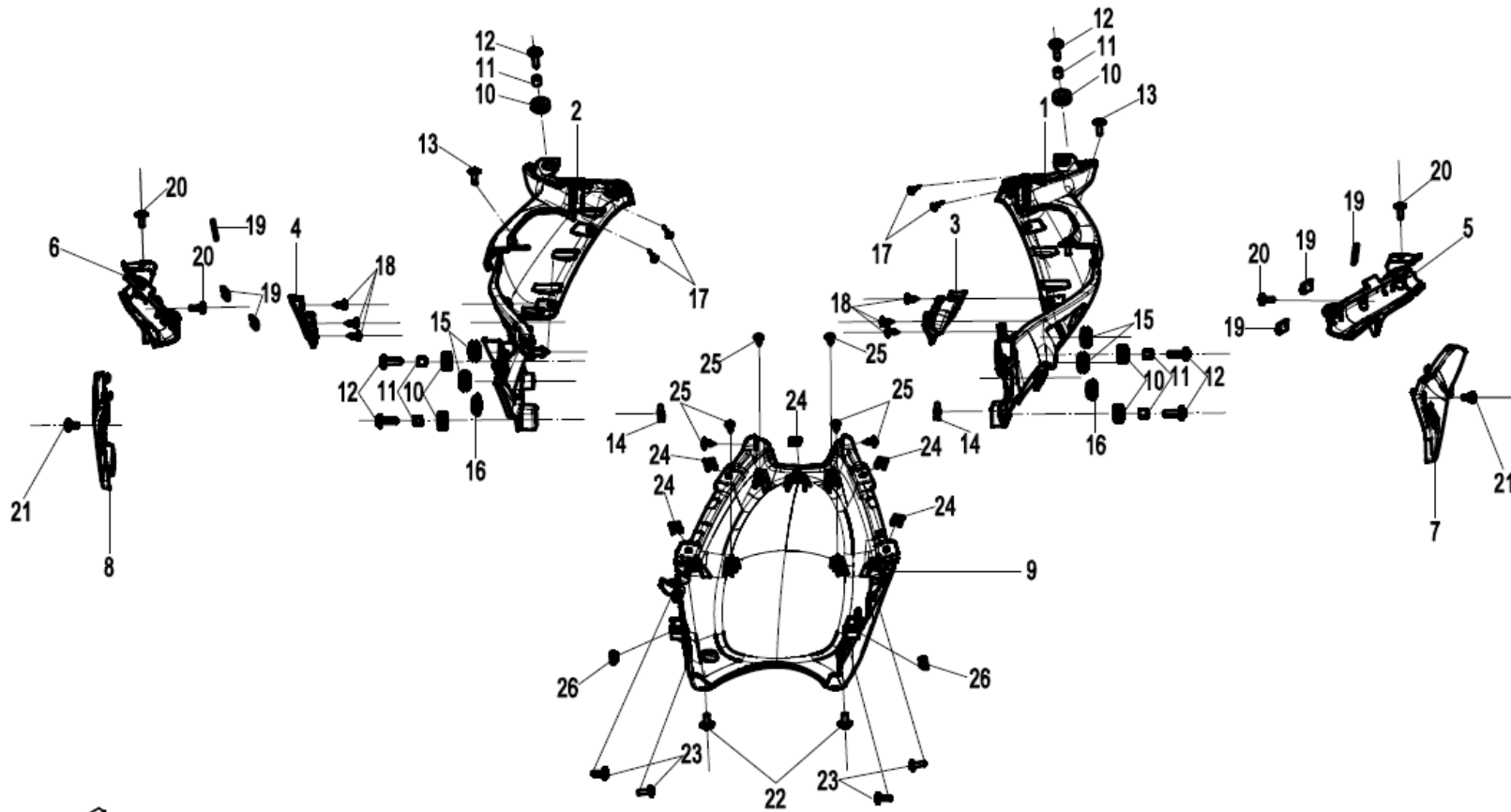
NO.	CODE	EN DESCRIPTION	QTY	REMARKS
F04-4-01	6KWV-040501-1000	RADIATOR LH DECO PLATE	1	
F04-4-02	6KWV-040503-1000-0YJ00	RADIATOR LH DECO PLATE DECO STRIP	1	WHITE BIKE
F04-4-02	6KWV-040503-1000-0VE00	RADIATOR LH DECO PLATE DECO STRIP	1	BLACK BIKE
F04-4-03	6KWV-040505-1000	LH INNER PLATE, RADIATOR	1	
F04-4-04	6KWV-040601-1001	VEHICLE LH FRONT DECO PLATE	1	
F04-4-05	6KWV-040602-1001	VEHICLE RH FRONT DECO PLATE	1	
F04-4-06	6KWV-040506-1000	RH INNER PLATE, RADIATOR	1	
F04-4-07	6KWV-040504-1000-0VE00	RADIATOR RH DECO PLATE DECO STRIP	1	WHITE BIKE
F04-4-07	6KWV-040504-1000-0YJ00	RADIATOR RH DECO PLATE DECO STRIP	1	BLACK BIKE
F04-4-08	6KWV-040502-1000	RADIATOR RH DECO PLATE	1	
F04-4-09	6KM#-040081-8000-M1	NUT CLIP M5	5	
F04-4-10	30110-420095010	SELF-TAPPING SCREW ST4.2x9.5	14	
F04-4-11	8030-040800-00001	NUT CLIP M6	2	
F04-4-12	6GU#-000202-6000	T SHAPE BUSHING KIT	2	
F04-4-13	6WV-047001-5000	INNER HEX SCREW M6x25	2	
F04-4-14	6WV-047102-5000	INNER HEX SCREW M5x14	3	
F04-4-15	6WV-046502-5000	STEPPED SCREW M5	2	

塑料件 V / PLASTICS V



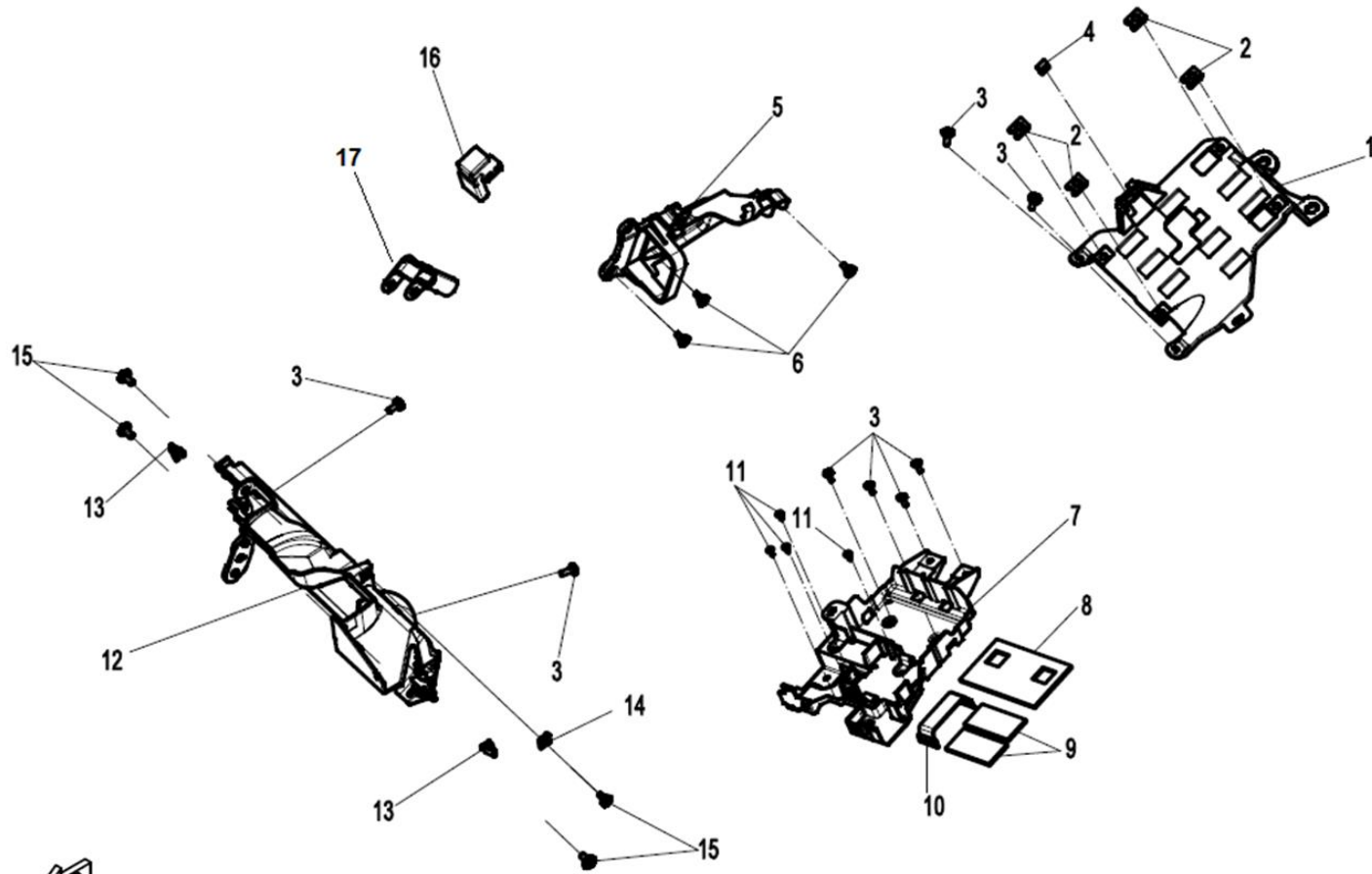
NO.	CODE	EN DESCRIPTION	QTY	REMARKS
F04-5-01	6KWV-040702-1000	REAR SEAT FRONT DECO PLATE	1	
F04-5-02	6KWV-040703-1000-OVE00	REAR SEAT REAR DECO PLATE	1	WHITE BIKE
F04-5-02	6KWV-040703-1000-OHD00	REAR SEAT REAR DECO PLATE	1	BLACK BIKE
F04-5-03	6KWV-040704-1000-OVE00	REAR SEAT DECO PLATE INNER PLATE	1	WHITE BIKE
F04-5-03	6KWV-040704-1000-OHD00	REAR SEAT DECO PLATE INNER PLATE	1	BLACK BIKE
F04-5-04	6WVW-047102-5000	INNER HEX SCREW M5x14	2	
F04-5-05	30110-481130010	SELF-TAPPING SCREW ST4.8x13	10	
F04-5-06	6KWV-040610-1000	RH FRONT FOOTREST DECO PLATE	1	
F04-5-07	9060-180029	RUBBER CUSHION TUBE, RADIATOR	1	
F04-5-08	6KM#-181001-8001	DAMPING RUBBER MAT	1	
F04-5-09	6WVW-046902-5000	INNER HEX SCREW M6x20	1	
F04-5-10	6GU#-040036-6001	BRACKET, REAR FENDER	1	
F04-5-11	30110-420130070	SELF-TAPPING SCREW ST4.2x13-C-H	3	
F04-5-12	6GU#-040041-6000	INNER LINER, REAR LICENSE	1	
F04-5-13	30110-420160010	SCREW ST4.2x16	2	
F04-5-14	6GUV-040037-6003	REAR LICENSE BRACKET	1	
F04-5-15	30110-420095010	SELF-TAPPING SCREW ST4.2x9.5	2	
F04-5-16	5HY#-040001-1000	BOLT M6x14	3	
F04-5-17	6GU#-040038-6000	MOUNTING PLATE, REAR LICENSE	1	
F04-5-18	6KM#-160420-8001	SPONGE MAT	4	
F04-5-19	6KWV-040609-1000	LH FRONT FOOTREST DECO PLATE	1	

塑料件VI/PLASTICS VI



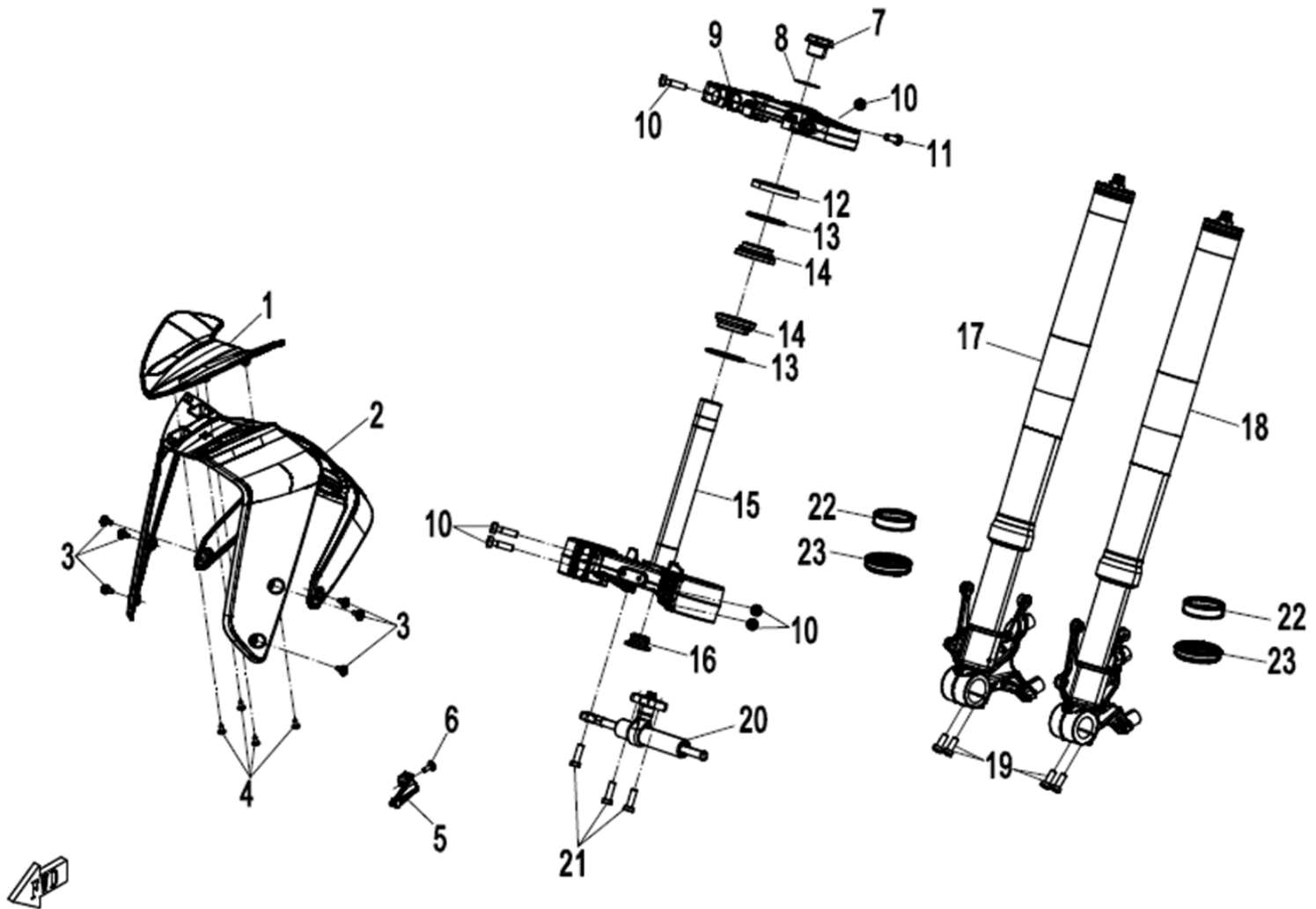
NO.	CODE	EN DESCRIPTION	QTY	REMARKS
F04-6-01	6KWV-040603-1001	VEHICLE LH REAR DECO PLATE	1	
F04-6-02	6KWV-040604-1001	VEHICLE RH REAR DECO PLATE	1	
F04-6-03	6KWV-041105-1000	SEAT LOCK CYLINDER BRACKET	1	
F04-6-04	6KWV-041106-1000	VEHICLE RH REAR WATER RESISTENT PLATE	1	
F04-6-05	6KWV-040607-1000	VEHICLE LH DECO PLATE INNER PLATE	1	
F04-6-06	6KWV-040608-1000	VEHICLE RH DECO PLATE INNER PLATE	1	
F04-6-07	6KWV-040605-1000-OVR00	VEHICLE LH LOWER DECO PLATE	1	WHITE BIKE
F04-6-07	6KWV-040605-1000-0BU00	VEHICLE LH LOWER DECO PLATE	1	BLACK BIKE
F04-6-08	6KWV-040606-1000-OVR00	VEHICLE RH LOWER DECO PLATE	1	WHITE BIKE
F04-6-08	6KWV-040606-1000-0BU00	VEHICLE RH LOWER DECO PLATE	1	BLACK BIKE
F04-6-09	6KWV-040701-1000	VEHICLE REAR BASE PLATE	1	
F04-6-10	6090-040302	RUBBER DAMPER	6	
F04-6-11	6090-040303	BUSHING	6	
F04-6-12	6WVV-046902-5000	INNER HEX SCREW M6x20	6	
F04-6-13	6WVV-046802-5000	INNER HEX SCREW M6x16	2	
F04-6-14	8080-000001	CLASP	2	
F04-6-15	A000-040302	RUBBER DAMPER	4	
F04-6-16	6KWV-041114-1000	RUBBER HEAD	2	
F04-6-17	8080-041130	PLASTIC SCREW	4	
F04-6-18	30110-421130010	SCREW ST4.2x13	6	
F04-6-19	6KM#-160420-8001	SPONGE MAT	6	
F04-6-20	6WVV-047102-5000	INNER HEX SCREW M5x14	4	
F04-6-21	6WVV-046502-5000	STEPPED SCREW M5	6	
F04-6-22	6WVV-046702-5000	INNER HEX SCREW M6x12	2	
F04-6-23	6WVV-047102-5000	INNER HEX SCREW M5x14	4	
F04-6-24	6KM#-040081-8000-M1	NUT CLIP M5	5	
F04-6-25	30110-481130070	SELF-TAPPING SCREW	6	
F04-6-26	8010-000002	TOOL ST4.2	2	

塑料件Ⅶ/PLASTICS Ⅶ



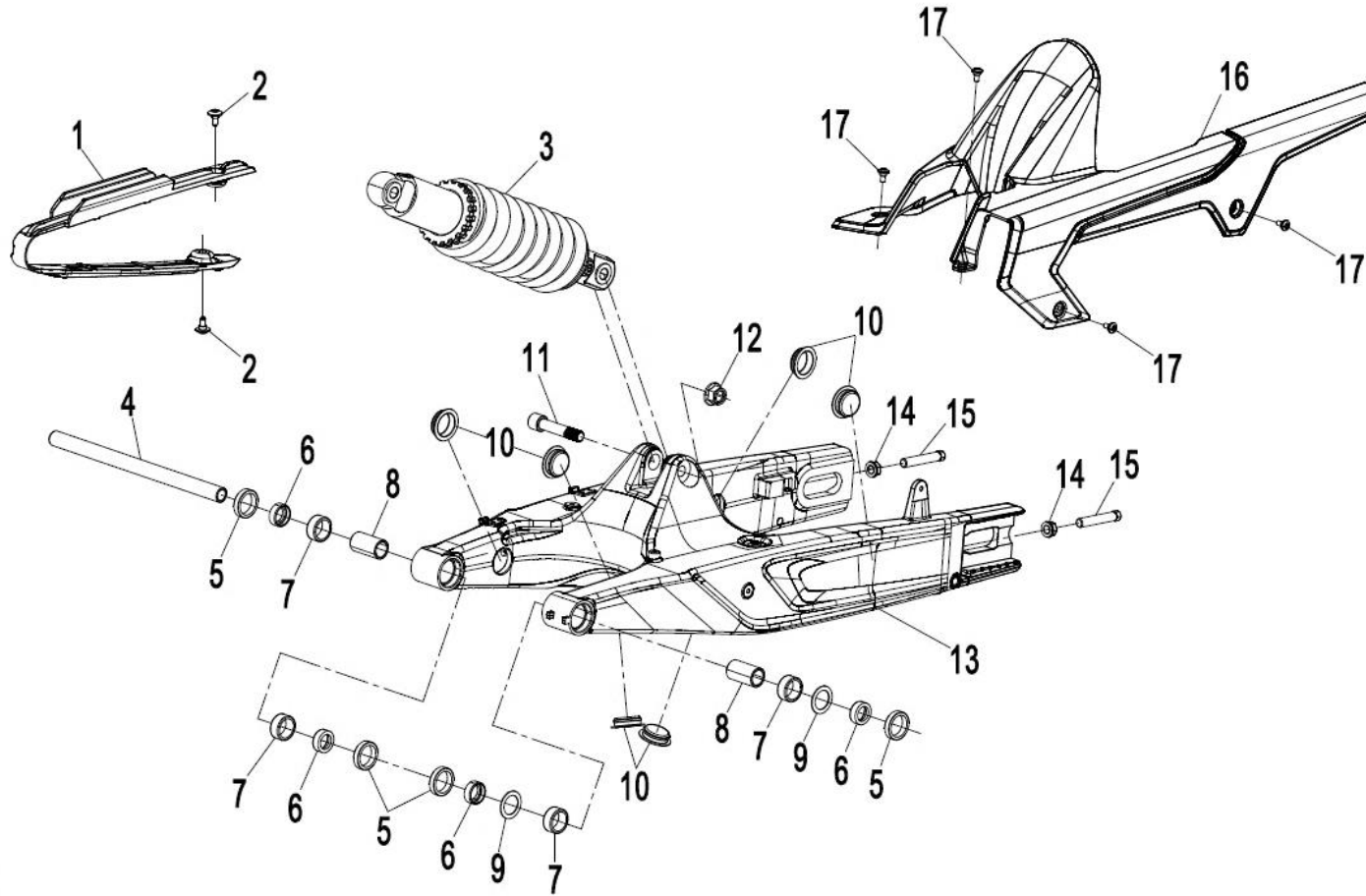
NO.	CODE	EN DESCRIPTION	QTY	REMARKS
F04-7-01	6KWV-041101-1000	ECU BRACKET	1	
F04-7-02	5020-040051	NUT M6	4	
F04-7-03	6WWV-047102-5000	INNER HEX SCREW M5x14	8	
F04-7-04	8010-000002	TOOL ST4.2	1	
F04-7-05	6KWV-041103-1000	CANISTER BRACKET	1	
F04-7-06	6WWV-046502-5000	STEPPED SCREW M5	3	
F04-7-07	6KWV-041102-1000	BATTERY BRACKET	1	
F04-7-08	6KWV-041107-1000	BATTERY BASE SPONGE MAT	1	
F04-7-09	6KWV-041108-1000	BATTERY FRONT SPONGE MAT	3	
F04-7-10	6GUV-150910-9000	T-BOX ASSY	1	
F04-7-11	30110-421130010	SCREW ST4.2x13	4	
F04-7-12	6KWV-040507-1000	REAR FENDER, RADIATOR	1	
F04-7-13	8080-000001	CLASP	2	
F04-7-14	6KM#-040081-8000-M1	NUT CLIP M5	1	
F04-7-15	6WWV-046702-5000	INNER HEX SCREW M6x12	4	
F04-7-16	6WWV-045901-5000	RUBBER BUSHING, AUXILIARY RELAY	1	
F04-7-17	C90703034000	WIRE PLATE, LH	1	

前悬架/Front Suspension



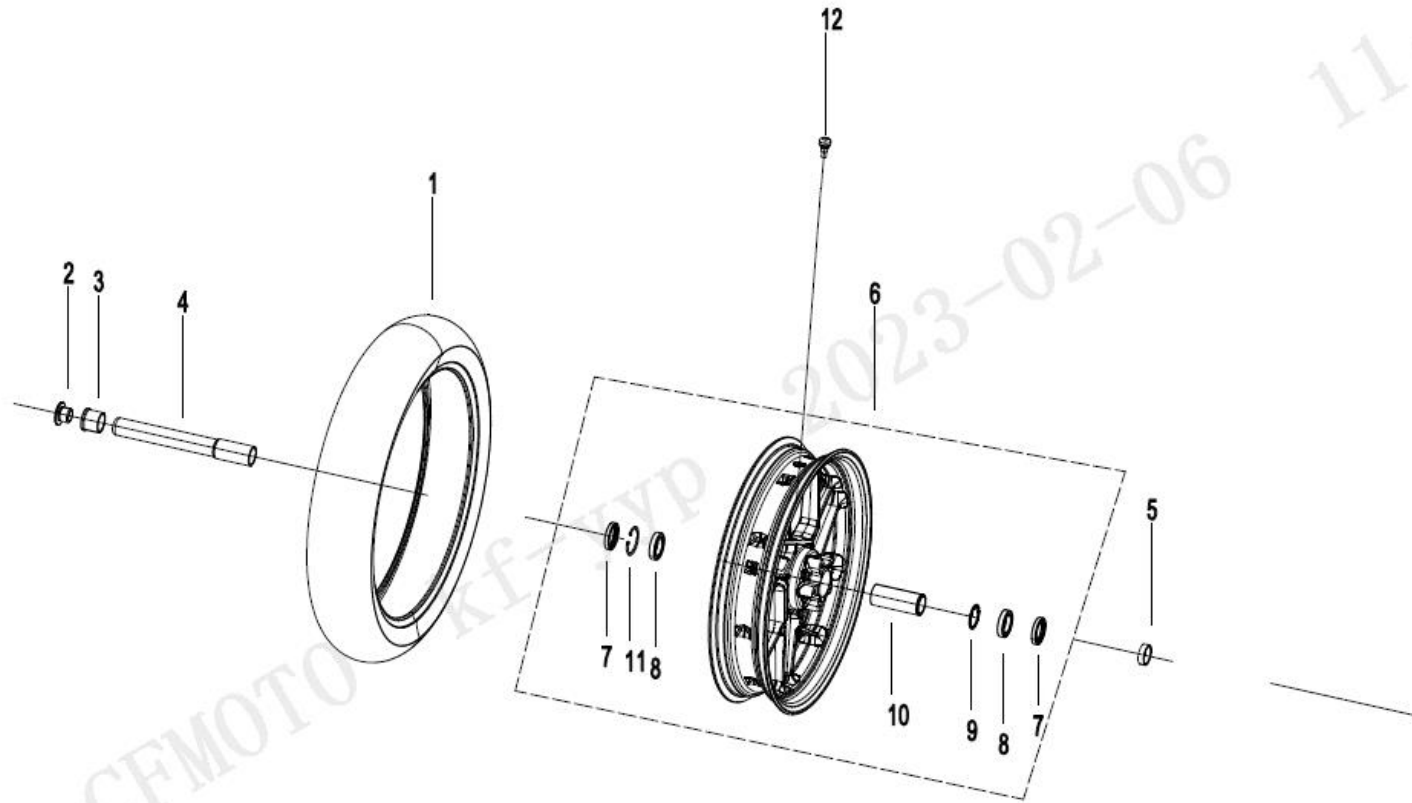
NO.	CODE	EN DESCRIPTION	QTY	REMARKS
F05-B-01	6KWV-050702-1000-0VE00	FRONT FENDER DECO PLATE	1	WHITE BIKE
F05-B-01	6KWV-050702-1000-0D000	FRONT FENDER DECO PLATE	1	BLACK BIKE
F05-B-02	6KWV-050701-1000-0BU00	FRONT FENDER	1	
F05-B-03	6WWV-046502-5000	STEPPED SCREW M5	6	
F05-B-04	30110-421130010	SCREW ST4.2x13	4	
F05-B-05	6KWV-050501-1000	DECO COVER	1	
F05-B-06	6WWV-047102-5000	INNER HEX SCREW M5x14	1	
F05-B-07	6L30-050002	LOCK SCREW, UPPER TRIPLE CLAMP	1	
F05-B-08	6WWV-050005-5000	WASHER	1	
F05-B-09	6KWV-050020-1000	UPPER TRIPLE CLAMP ASSY	1	WHITE BIKE (ALT:- 6KWV-050020-1000-10)
F05-B-09	6KWV-050025-1000	UPPER TRIPLE CLAMP ASSY	1	BLACK BIKE (ALT:- 6KWV-050025-1000-10)
F05-B-10	6WWV-050011-5000	INNER HEX SCREW M8x30	6	
F05-B-11	30102-080025810	SCREW M8x25	1	
F05-B-12	6L30-050003	DUST-PROOF COVER	1	
F05-B-13	6L30-050010	DUST-PROOF RING	2	
F05-B-14	6L30-050200	STEERING BEARING ASSY	2	
F05-B-15	6KWV-050300-1000	LOWER TRIPLE CLAMP ASSY	1	WHITE BIKE (ALT:- 6KWV-050300-1000-10)
F05-B-15	6KWV-050325-1000	LOWER TRIPLE CLAMP ASSY	1	BLACK BIKE (ALT:- 6KWV-050325-1000-10)
F05-B-16	6L30-050004	PLUG, FRONT FORK	1	
F05-B-17	6KWV-050500-1000-M1	LH FRONT SHOCK ABSORBER	1	
F05-B-18	6KWV-050600-1000-M1	RH FRONT SHOCK ABSORBER	1	
F05-B-19	30102-080020870	SCREW	4	
F05-B-20	16181R54E	STEERING DAMPER	1	
F05-B-21	6WWV-050009-5000	SCREW M8x25	3	
F05-B-22	6KWV-050500-1000-24	OIL SEAL	2	
F05-B-23	6KWV-050500-1000-25	ANTI-DUST CAP	2	

后悬架/REAR SUSPENSION



NO.	CODE	EN DESCRIPTION	QTY	REMARKS
F06-01	6WWV-060005-5003	CHAIN GUARD	1	
F06-02	6WWV-046602-5000	INNER HEX STEPPED SCREW M6x14	2	
F06-03	6KWV-060100-1000-M1	REAR SHOCK ABSORBER	1	
F06-04	6WWV-060001-5001	REAR SWING ARM SHAFT	1	
F06-05	6WWV-060030-5000-10	OIL SEAL	4	ALT:- 6WWV-060030-5000
F06-06	6WWV-060002-5000	BUSHING, REAR SWING ARM	4	
F06-07	30403-02200	NEEDLE BEARING HK2212	4	
F06-08	6WWV-060003-5000	LINER, REAR SWING ARM	2	
F06-09	6WWV-060004-5000	WASHER, REAR SWING ARM	2	
F06-10	6NT1-060003	DUST CAP, SMALL	6	
F06-11	6NT1-060001	BOLT, REAR SHOCK ABSORBER	1	
F06-12	30204-122810	NUT M12x1.25	1	
F06-13	6KWV-060301-1000	REAR FORK	1	
F06-14	6L30-060013	LOCK NUT, CHAIN ADJUSTER	2	
F06-15	6L30-060002	ADJUSTABLE BOLT, CHAIN	2	
F06-16	6KWV-060401-1000	REAR FORK PANEL	1	
F06-17	6WWV-046502-5000	STEPPED SCREW M5	4	

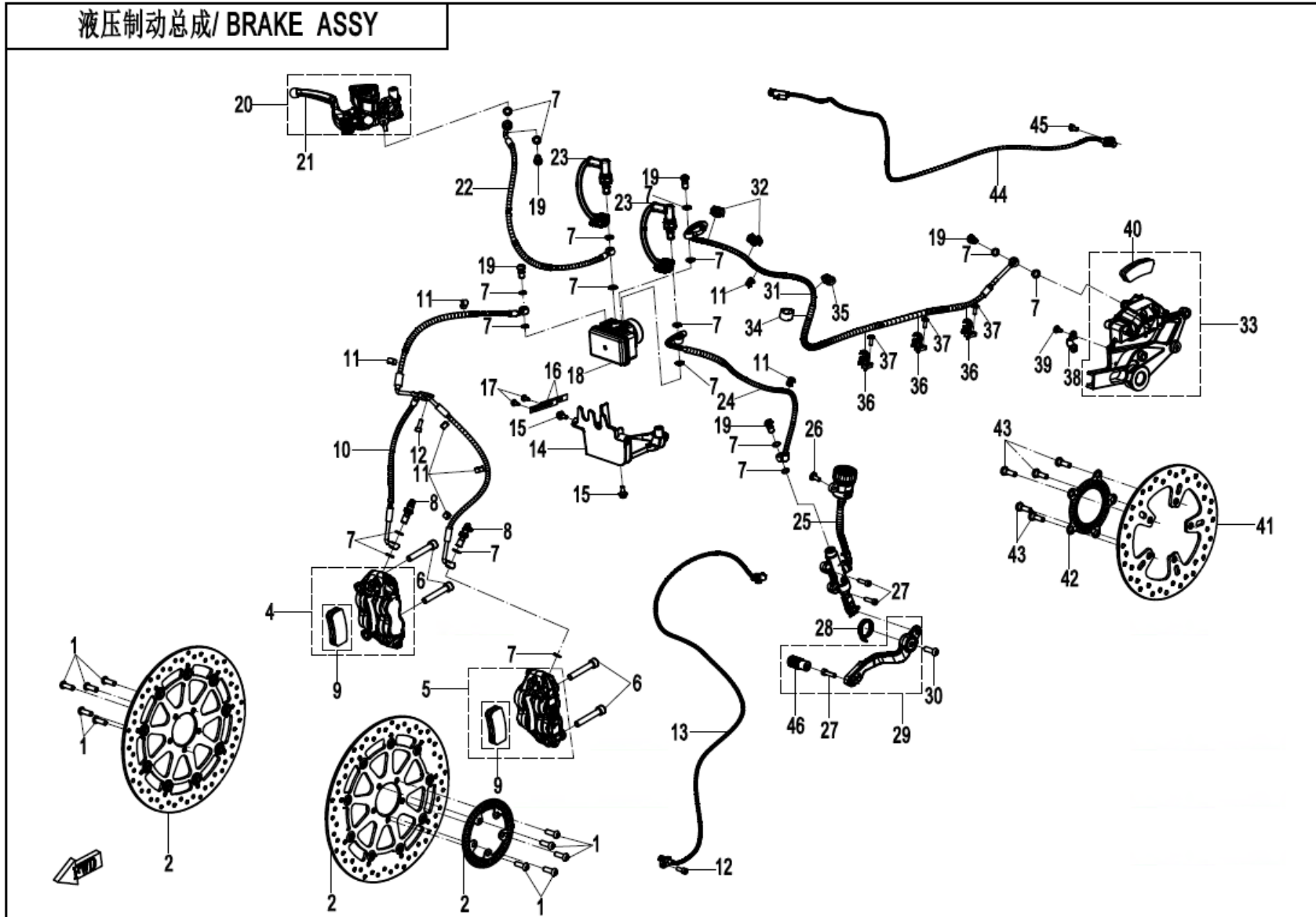
前轮/FRONT WHEEL



CFMOTO Kf-7Yp 2023-02-06 11:18

NO.	CODE	EN DESCRIPTION	QTY	REMARKS
F07-01	3070SH-176100	TIRE	1	ALT:- 30705-1761
F07-02	6L30-070004	LOCK SCREW, FRONT AXLE	1	
F07-03	6WWV-070002-5000	RH BUSHING, FRONT WHEEL	1	
F07-04	6WWV-070001-5000	FRONT WHEEL SHAFT	1	
F07-05	6WWV-070003-5000	LH BUSHING, FRONT WHEEL	1	
F07-06	6KWV-070100-1000-0BM00	FRONT RIM ASSY	1	WHITE BIKE
F07-06	6KWV-070100-1000-0YJ00	FRONT RIM ASSY	1	BLACK BIKE
F07-07	6WWV-070100-5000-21	OIL SEAL	2	
F07-08	6WWV-070100-5000-22	BEARING	2	
F07-09	6WWV-070105-5000	WASHER	1	
F07-10	6KWV-070102-1000	CORE SHAFT	1	
F07-11	30800-04705	CIRCLIP FOR HOLE 47	1	
F07-12	FA7V-070300-1000	INFLATION VALVE	1	

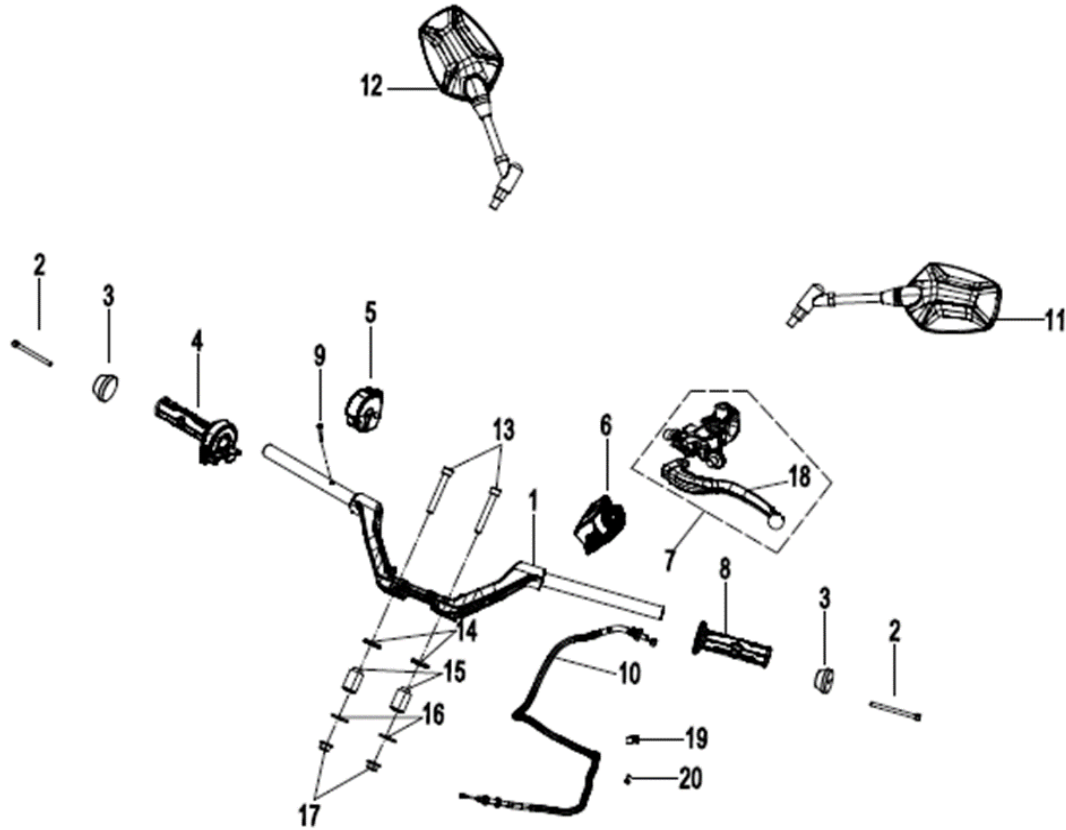
液压制动总成/ BRAKE ASSY



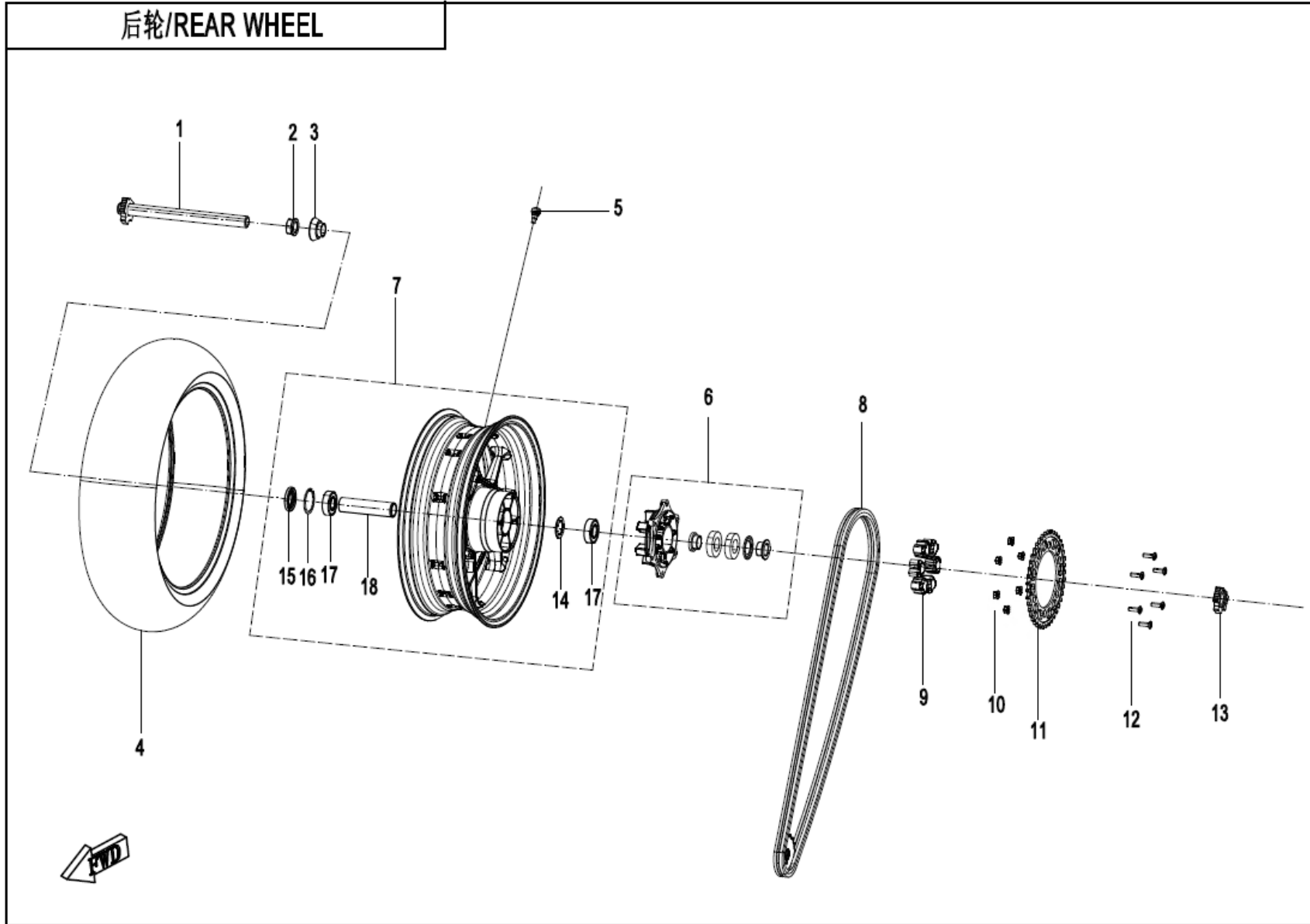
NO.	CODE	EN DESCRIPTION	QTY	REMARKS
F08-01	C90709062000	FIXED BOLT, BRAKE DISC	10	ALT:- 6GUV-080001-7000
F08-02	6L30-080010	FRONT BRAKE DISC ASSY	2	
F08-03	6L30-080003	GEAR RING, FRONT WHEEL	1	
F08-04	6WWV-081200-5001	FRONT RH BRAKE CALIPER	1	
F08-05	6GUV-081100-6002	FRONT LH BRAKE CALIPER ASSY	1	
F08-06	30102-102060810	SCREW M10x1.25x60	4	
F08-07	A000-080102-2000	WASHER	18	
F08-08	6GU#-081000-6000-22	BANJO BOLT 1	2	
F08-09	6GUV-0811A0-6000	FRONT BRAKE PAD ASSY	2	
F08-10	6KWV-081020-1000	FRONT BRAKE FLUID INLET HOSE	1	
F08-11	6KJ0-080003-00001	CLIP, BRAKE HOSE	7	
F08-12	30102-060016810	SCREW	2	
F08-13	FA8V-080004-1200-M1	SPEED SENSOR	1	
F08-14	6WWV-080009-5000	ABS NYLON BRACKET	1	
F08-15	8010-000004	BOLT M6x14	2	
F08-16	0180-014010	WIRE CLIP	2	
F08-17	30118-480130010	SELF-TAPPING SCREW ST4.8x13	2	
F08-18	6KWV-081500-1000-M1	MSC CONTROLLER	1	
F08-19	6GU#-081000-6000-23	BANJO BOLT2	5	
F08-20	6KWV-080110-1000-M1	FRONT BRAKE PUMP ASSY	1	
F08-21	6KWV-080110-1000-35	LEVER	1	
F08-22	6KWV-081010-1001	FRONT BRAKE FLUID OUTLET PIPE	1	
F08-23	6GUV-080010-8100	HYDRAULIC INDUCTION SWITCH	2	ALT:- 6GU#-080010-6003
F08-24	6KWV-081050-1000	REAR BRAKE FLUID OUTLET HOSE	1	
F08-25	6KWV-081300-1000-M1	REAR BRAKE MAIN PUMP ASSY	1	
F08-25	6KWV-081300-1001-M1	REAR BRAKE MASTER CYLINDER ASSY	1	
F08-26	6WWV-046802-5000	INNER HEX SCREW M6x16	1	
F08-27	30102-060022810	SCREW M6x22	3	
F08-28	6AQV-080400-1000	SPRING	1	
F08-29	6KWV-081700-1000	REAR BRAKE PEDAL ASSY	1	WHITE BIKE
F08-29	6KWV-081400-1000	REAR BRAKE PEDAL ASSY	1	BLACK BIKE
F08-30	30121-080025160	SCREW M8x25	1	
F08-31	6KWV-081040-1000	REAR BRAKE FLUID INLET HOSE	1	

NO.	CODE	EN DESCRIPTION	QTY	REMARKS
F08-32	6L30-080006	WIRE CLIP 2, BRAKE FLUID HOSE	2	
F08-33	6KWV-081600-1000	REAR CALIPER ASSY	1	
F08-34	6KJ0-100002	CLUTCH PULL BINDING	1	
F08-35	801F-100101	TIE BAND	1	
F08-36	6GU#-080009-6000	WIRE CLIP, BRAKE FLUID HOSE	3	
F08-37	6WWV-047102-5000	INNER HEX SCREW M5x14	3	
F08-38	6GU#-080008-6000	WIRE CLIP	1	
F08-39	6KM#-040082-8000	SCREW KIT M5	1	
F08-40	6WWV-0816A0-5000	REAR BRAKE PAD ASSY	1	
F08-41	6GU#-090001-6000-M1	REAR BRAKE DISC	1	
F08-42	6GU#-090002-6001	REAR GEAR RING	1	
F08-43	A000-080001	SCREW	5	
F08-44	6L30-080020	SPEED SENSOR, FRONT WHEEL	1	
F08-45	30102-060012810	SCREW	1	
F08-46	6AQV-080301-1000	SUPPORTER	1	WHITE BIKE
F08-46	6KWV-081402-1000	SUPPORTING STEM	1	BLACK BIKE

转向系统/ STEERING SYSTEM

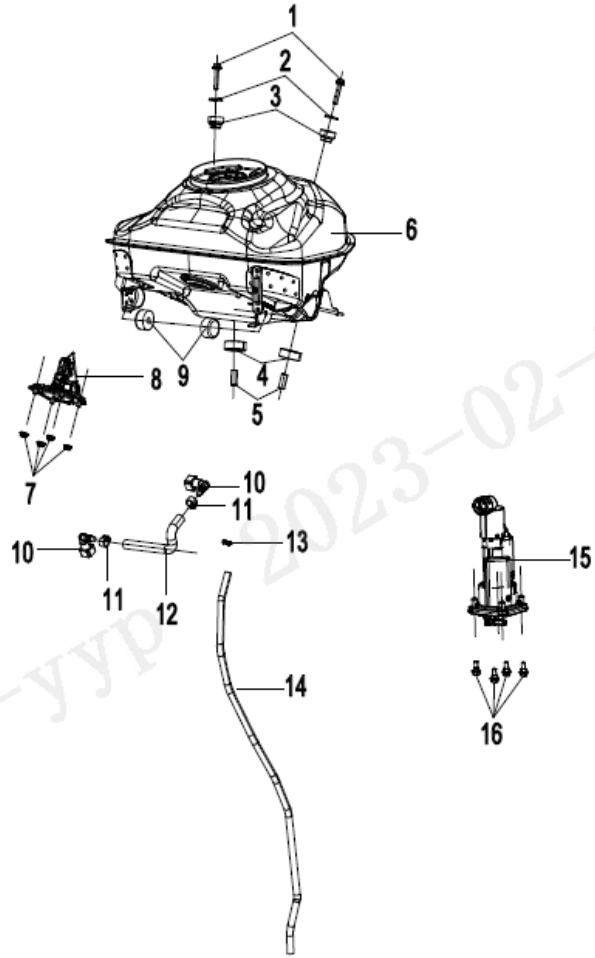


NO.	CODE	EN DESCRIPTION	QTY	REMARKS
F10-B-01	6KWV-100100-1101	HANDLEBAR ASSY	1	
F10-B-02	30102-102070810	SCREW M10x1.25x70	2	
F10-B-03	6AQV-100301-1000-0VR00	BALANCE BLOCK	2	
F10-B-04	6GUV-100020-6000-M1	E-THROTTLE ASSY	1	ALT:- 6GUV-100020-6001
F10-B-05	6KWV-167000-1100	RH HANDLEBAR SWITCH ASSY	1	
F10-B-06	6KWV-166000-1101	LH HANDLEBAR SWITCH ASSY	1	
F10-B-07	6WWV-100200-5002	CLUTCH LEVER ASSY	1	
F10-B-08	6GUV-100001-6002	LH HAND GRIP SLEEVE	1	
F10-B-09	30105-040030410	SCREW M4x30	1	
F10-B-10	6KWV-100600-1100	CLUTCH CABLE	1	
F10-B-11	6KWV-200300-1000	LH REAR VIEW MIRROR ASSY	1	ALT:- 6KWV-200300-1000-10
F10-B-12	6KWV-200400-1000	RH REAR VIEW MIRROR ASSY	1	ALT:- 6KWV-200400-1000-10
F10-B-13	30102-102070810	SCREW M10x1.25x70	2	
F10-B-14	6KWV-100061-1000	CIRCULAR RUBBER RING	2	
F10-B-15	6KWV-100060-1000	RUBBER SLEEVE	2	
F10-B-16	30306-100112	WASHER M10	2	
F10-B-17	30204-102810	NUT M10x1.25	2	
F10-B-18	6WWV-100201-5000	CLUTCH LEVER	1	
F10-B-19	6WWV-100800-5000	WIRE CLIP, CLUTCH CABLE	1	
F10-B-20	6WWV-047102-5000	INNER HEX SCREW M5x14	1	

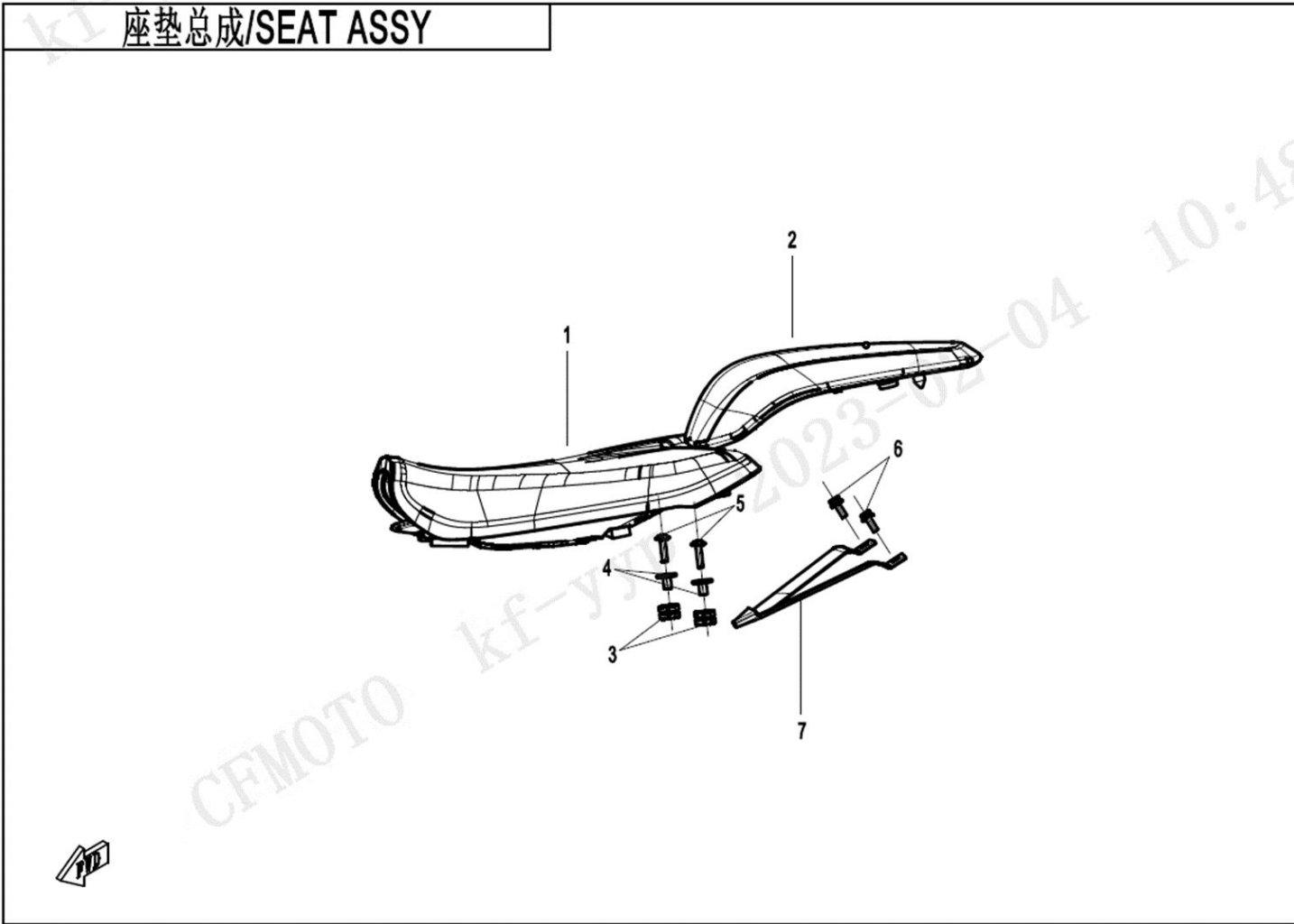


NO.	CODE	EN DESCRIPTION	QTY	REMARKS
F11-01	6WWV-110400-5000	REAR WHEEL SHAFT ASSY	1	
F11-02	6WWV-110006-5000	RH BUSHING, REAR WHEEL	1	
F11-03	6WWV-110002-5000	RH CHAIN ADJUSTING BLOCK	1	
F11-04	3070SH-176200	TIRE	1	
F11-05	FA7V-070300-1000	INFLATION VALVE	1	
F11-06	6WWV-110300-5000	SEAT, SPROCKET	1	
F11-07	6KWV-110200-1000-0BM00	REAR RIM ASSY	1	
F11-07	6KWV-110200-1000-0YJ00	REAR RIM ASSY	1	
F11-08	3120913	CHAIN	1	
F11-09	6L30-110003	DAMPER, SPROCKET	6	
F11-10	30204-080810	NUT M8	6	
F11-11	C90710051041	REAR SPROCKET	1	
F11-12	6WWV-110004-5001	SUNK_SCREW_M8x28	6	
F11-13	6WWV-110001-5000	NUT, REAR WHEEL SHAFT	1	
F11-14	6WWV-110106-5000	WASHER	1	
F11-15	6WWV-110100-5000-21	OIL SEAL	1	
F11-16	30800-05205	CIRCLIP FOR HOLE	1	
F11-17	6WWV-110100-5000-22	BEARING	2	
F11-18	6KWV-110202-1000	CORE SHAFT	1	

油箱/FUEL TANK

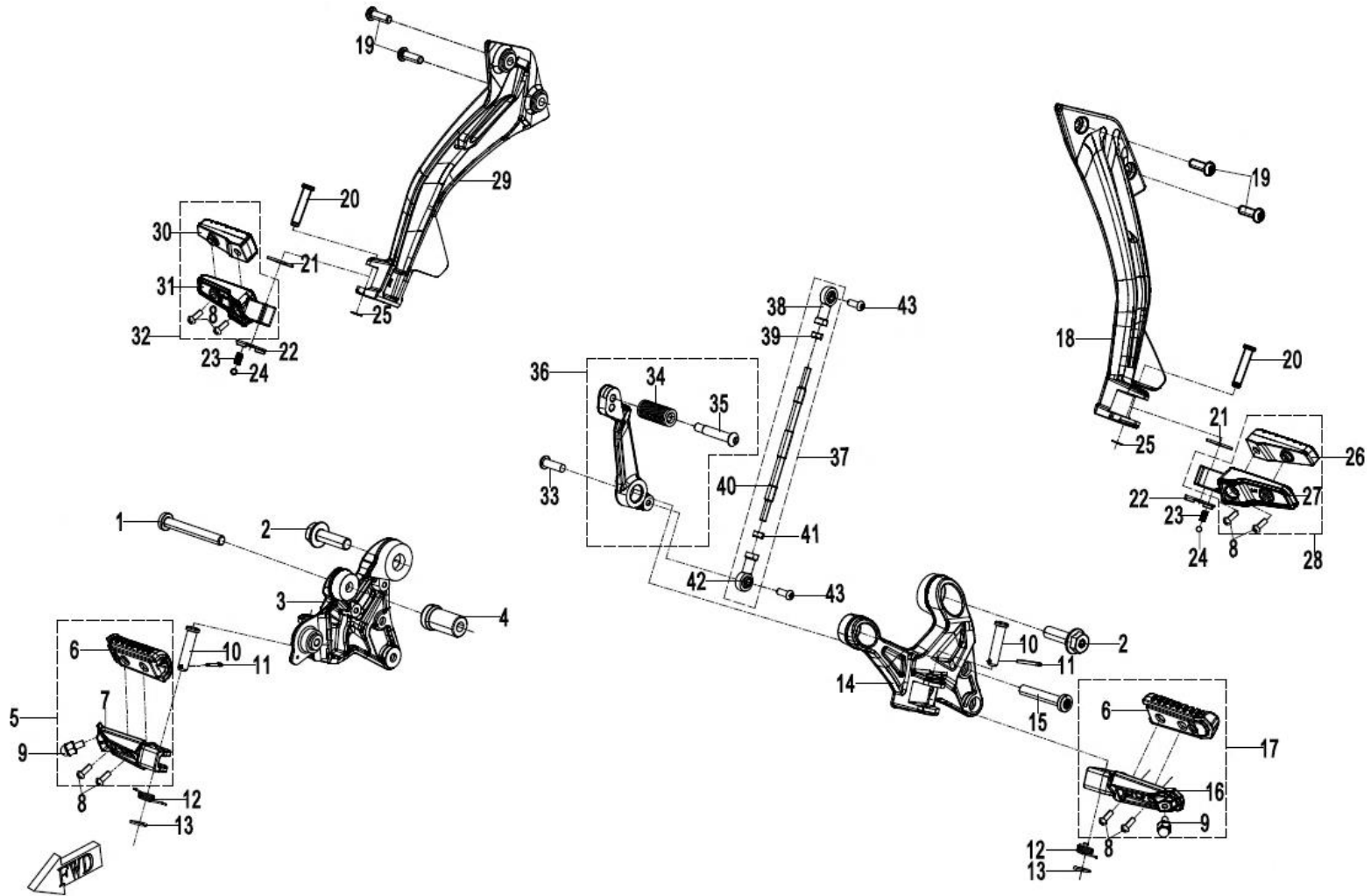


NO.	CODE	EN DESCRIPTION	QTY	REMARKS
F12-01	30006-060035810	BOLT M6x35	2	
F12-02	30301-060412	WASHER M6	2	
F12-03	6NQ#-120004-6000	CUSHION RUBBER WAHSER	2	
F12-04	6NQ#-120002-6000	MOUNTING BUSHING	4	
F12-05	6KWV-120001-1000	RUBBER MAT	2	
F12-06	6KWV-121000-1000	FUEL TANK ASSY	1	
F12-07	30204-060810	NUT M6	4	ALT:- 30202-060110
F12-08	6KWV-170200-1000-M2	FUEL LEVEL SENSOR	1	
F12-09	A000-120006	CUSHION MAT, FRONT FUEL TANK	2	
F12-10	6090-120210	QUICK JOINT	2	
F12-11	7020-120006	CLAMP Dia 16.6	2	
F12-12	6WWV-120010-5000	HIGH-PRESSURE FUEL HOSE ASSY	1	
F12-13	30601-111010	CLAMP A11	1	
F12-14	6NQ0-120001	FUEL PIPE, FUEL TANK	1	
F12-15	6KWV-150900-1000	FUEL PUMP	1	ALT:- 6L30-150900
F12-16	30006-060016870	BOLT M6x16	2	ALT:- 30006-060016810



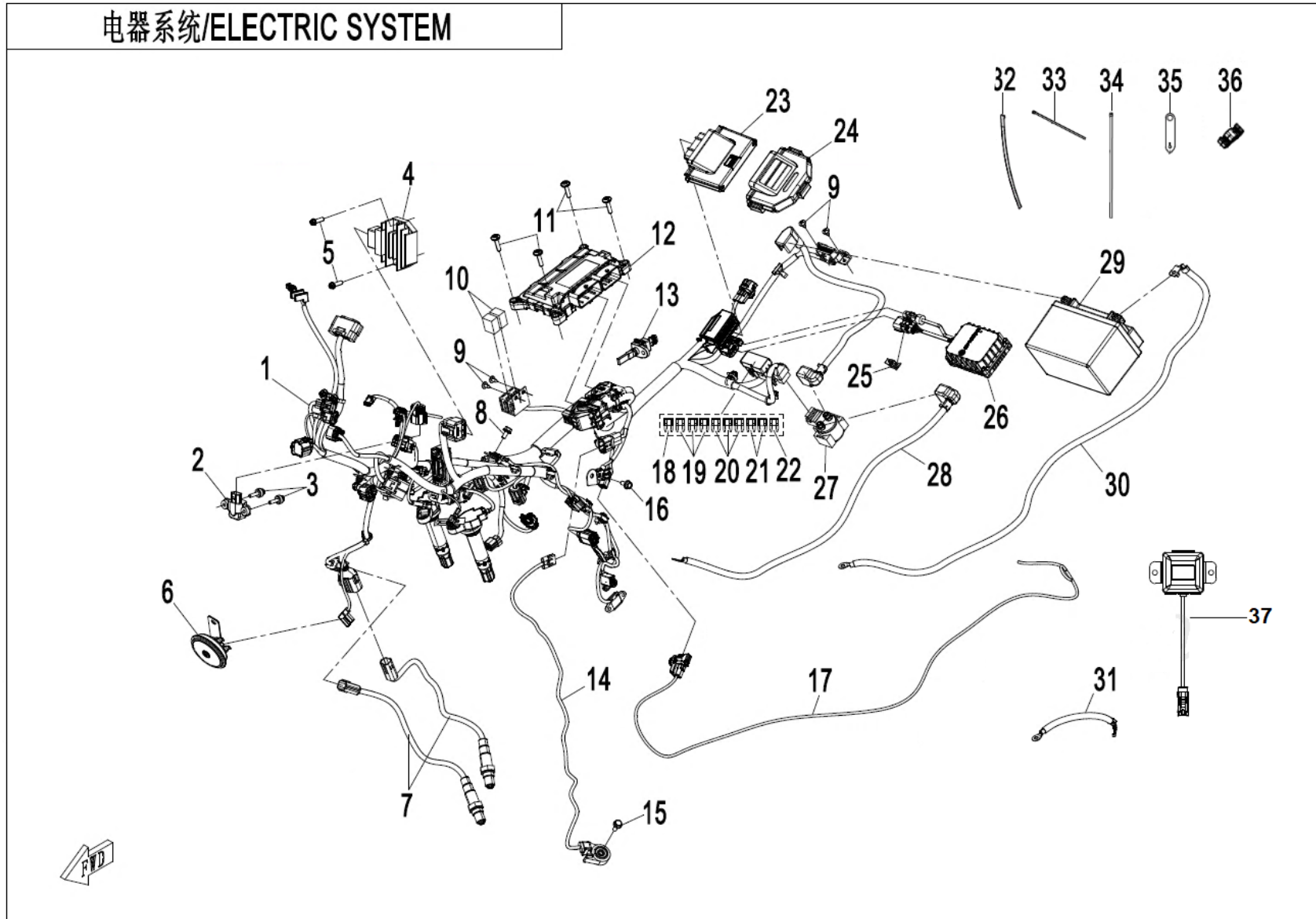
NO.	CODE	EN DESCRIPTION	QTY	REMARKS
F13-01	6KWV-130100-1000	FRONT SEAT ASSY	1	
F13-02	6KWV-130200-1000	REAR SEAT ASSY	1	
F13-03	5020-031001	RUBBER SLEEVE, FRONT LICENSE BRACKET	2	
F13-04	6GU#-000202-6000	T SHAPE BUSHING KIT	2	
F13-05	6WWV-047002-5000	INNER HEX SCREW M6x25	2	
F13-06	30006-060016870	BOLT M6x16	2	ALT:- 30006-060016810
F13-07	6KWV-130300-1000	TIE BAND	1	

F14脚蹬/FOOTREST



NO.	CODE	EN DESCRIPTION	QTY	REMARKS
F14-01	C0000351008000S	SCREW M10x80	1	
F14-02	C90704038000	BOLT, FRONT FOOTREST BRACKET	2	
F14-03	6KWV-140700-1000-10	BRACKET, RH FRONT FOOTREST	1	WHITE BIKE
F14-03	6KWV-140700-1000	RH FRONT FOOTREST BRACKET	1	BLACK BIKE
F14-04	C90703039001C1	BUSHING, FRONT RH FOOTREST BRACKET	1	
F14-05	6KWV-140500-1000-0VR00	BRACKET ASSY, RH FRONT FOOTREST	1	WHITE BIKE
F14-05	6KWV-140900-1000-0BP00	RH FRONT FOOTREST SEAT ASSY	1	BLACK BIKE
F14-06	6KMV-140170-8100	FOOTREST RUBBER	2	
F14-07	6KWV-140141-1000-0VR00	RH FRONT FOOTREST SEAT	1	WHITE BIKE
F14-07	6KWV-140141-1000-0BP00	RH FRONT FOOTREST SEAT	1	BLACK BIKE
F14-08	30105-050014410	SCREW M5x14	8	WHITE BIKE
F14-08	30105-050014470	SCREW	8	BLACK BIKE
F14-09	6KM0-130123	LIMIT BOLT	2	WHITE BIKE
F14-09	6GU#-140202-6000	LIMIT BOLT	2	BLACK BIKE
F14-10	6WWV-140141-5000	PIN SHAFT	2	
F14-11	30903-0322210	COTTER PIN 3.2x22	2	
F14-12	A000-140103-20000	SPRING	2	
F14-13	30300-100112	WASHER	2	
F14-14	6KWV-140600-1000-10	BRACKET, LH FRONT FOOTREST	1	WHITE BIKE
F14-14	6KWV-140600-1000	LH FRONT FOOTREST BRACKET	1	BLACK BIKE
F14-15	C0000351006500S	SCREW M10x65	1	
F14-16	6KWV-140131-1000-0VR00	LH FRONT FOOTREST SEAT	1	WHITE BIKE
F14-16	6KWV-140131-1000-0BP00	LH FRONT FOOTREST SEAT	1	BLACK BIKE
F14-17	6KWV-140400-1000-0VR00	BRACKET ASSY, LH FRONT FOOTREST	1	WHITE BIKE
F14-17	6KWV-140800-1000-0BP00	LH FRONT FOOTREST SEAT ASSY	1	BLACK BIKE
F14-18	6KWV-140200-1000-10	BRACKET, LH REAR FOOTREST	1	WHITE BIKE
F14-18	6KWV-140200-1000	LH FRONT FOOTREST BRACKET	1	BLACK BIKE
F14-19	C90709062000	FIXED BOLT, BRAKE DISC	4	
F14-20	A000-140142	PIN SHAFT Dia 8	2	
F14-21	A000-140106	LOCATING GASKET 2	2	
F14-22	A000-140104	LOCATING GASKET 1	2	
F14-23	5190-037813	SPRING	2	
F14-24	5190-037814	STEEL BALL	2	

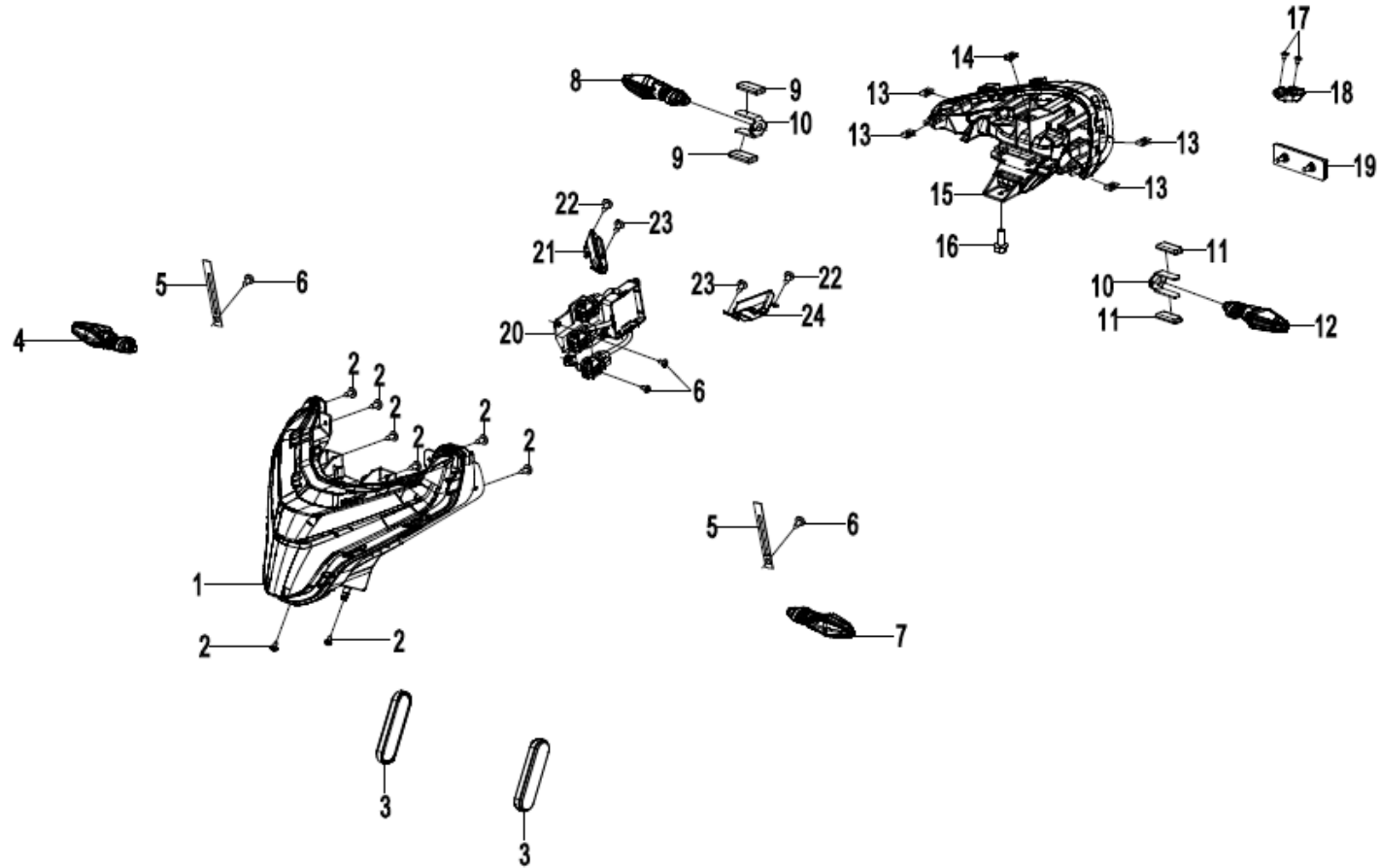
NO.	CODE	EN DESCRIPTION	QTY	REMARKS
F14-25	30802-00605	CIRCLIP 6	2	ALT:- 30802-00603
F14-26	6KJ0-140132	RUBBER, LH FOOT PEDAL	1	
F14-27	6KJV-140151-8000-0VR00	LH REAR FOOTREST BRACKET	1	WHITE BIKE
F14-27	6KJV-140151-8000-0BP00	LH REAR FOOTREST BRACKET	1	BLACK BIKE
F14-28	6KJV-140150-8000-0VR00	LH REAR FOOTREST ASSY	1	WHITE BIKE
F14-28	6KJV-140150-8000-0BP00	LH REAR FOOTREST ASSY	1	BLACK BIKE
F14-29	6KWV-140300-1000-10	BRACKET, RH REAR FOOTREST	1	WHITE BIKE
F14-29	6KWV-140300-1000	RH FRONT FOOTREST BRACKET	1	BLACK BIKE
F14-30	6KJ0-140142	RUBBER ASSY, RH FOOTREST	1	
F14-31	6KJV-140161-8000-0VR00	RH REAR FOOTREST BRACKET	1	WHITE BIKE
F14-31	6KJV-140161-8000-0BP00	RH REAR FOOTREST BRACKET	1	BLACK BIKE
F14-32	6KJV-140160-8000-0VR00	RH REAR FOOTREST ASSY	1	WHITE BIKE
F14-32	6KJV-140160-8000-0BP00	RH REAR FOOTREST ASSY	1	BLACK BIKE
F14-33	30121-080025160	SCREW M8x25	1	
F14-34	6GUV-140101-6000	RUBBER SLEEVE, PEDAL	1	
F14-35	6NQ#-140104-6002	BOLT, PEDAL	1	
F14-36	6KWV-140110-1000-10	SHIFT LEVER PEDAL ASSY	1	WHITE BIKE
F14-36	6KWV-140110-1000	SHIFT LEVER PEDAL ASSY	1	BLACK BIKE
F14-37	6WWV-140120-5000	CONNECTING PART, GEARSHIFT ROD	1	
F14-38	6GU#-140140-6001	BEARING	1	
F14-39	30200-060810	NUT M6	1	
F14-40	6WWV-140121-5000	CONNECTING ROD	1	
F14-41	30200-060810	NUT M6	1	
F14-42	6GU#-140160-6001	BEARING	1	
F14-43	30121-060016700	SCREW M6x16	2	



NO.	CODE	EN DESCRIPTION	QTY	REMARKS
F15-B-01	6KWV-150100-1300	MAIN CABLE	1	
F15-B-02	6KJO-150600	SENSOR, ROLL-OVER	1	

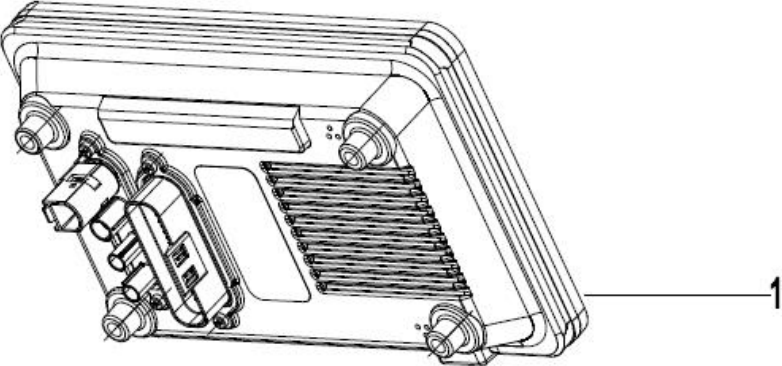
NO.	CODE	EN DESCRIPTION	QTY	REMARKS
F15-B-03	30006-050020810	BOLT M5x20	2	
F15-B-04	6WWV-177000-5000-M1	REGULATOR	1	
F15-B-05	30006-060025810	BOLT M6x25	2	
F15-B-06	6FIV-150600-7000	HORN	1	
F15-B-07	0HU0-176000	OXYGEN SENSOR	2	
F15-B-08	30006-060016870	BOLT M6x16	2	ALT:- 30006-060016810
F15-B-09	30118-480130010	SELF-TAPPING SCREW ST4.8x13	4	
F15-B-10	CFCV-150524-2000-M1	AUXILIARY RELAY	2	
F15-B-11	30006-060025810	BOLT M6x25	4	
F15-B-12	6KWV-001000-1100	ECU ASSY	1	
F15-B-13	0PW0-173100	AIR INTAKE TEMP. SENSOR	1	
F15-B-14	6WWV-151200-5000	SWITCH, SIDE STAND	1	
F15-B-15	8010-090005	BOLT M6x16	1	
F15-B-16	30006-060012870	BOLT M6x12	2	ALT:- 30006-060012810
F15-B-17	6KWV-150440-1001	LICENSE LIGHT AUXILIARY CABLE	1	
F15-B-18	8010-151301	FUSE 5A	1	
F15-B-19	806A-151302	FUSE 10A	3	
F15-B-20	806A-151305	FUSE 15A	3	ALT:- 806A-151303
F15-B-21	806A-151301	FUSE 7.5A	2	
F15-B-22	806A-151307	25A FUSE	1	
F15-B-23	6WWV-150410-5000-10	VEHICLE CONTROL UNIT	1	
F15-B-24	6WWV-150420-5000-10	BUSHING, VEHICLE CONTROL UNIT	1	
F15-B-25	CFCV-CBC005-2000-M1	CLIP	1	
F15-B-27	9CR6-150310	STARTER RELAY	1	
F15-B-28	6KWV-150310-1001	STARTER MOTOR POSITIVE CABLE	1	
F15-B-29	31021100	BATTERY	1	
F15-B-30	6KWV-150420-1001	BATTERY NEGATIVE CABLE	1	
F15-B-31	6KWV-150430-1000	GROUND CABLE, FRAME	1	
F15-B-35	6KJ0-100002	CLUTCH PULL BINDING	6	
F15-B-36	6L30-080006	WIRE CLIP 2, BRAKE FLUID HOSE	2	
F15-B-37	6WWV-170571-5A01	GNSS ANTENNA	1	
F15-B-38	CFCV-156001-2000-M1	CABLE PROTECTOR	1	

灯具/LIGHTS



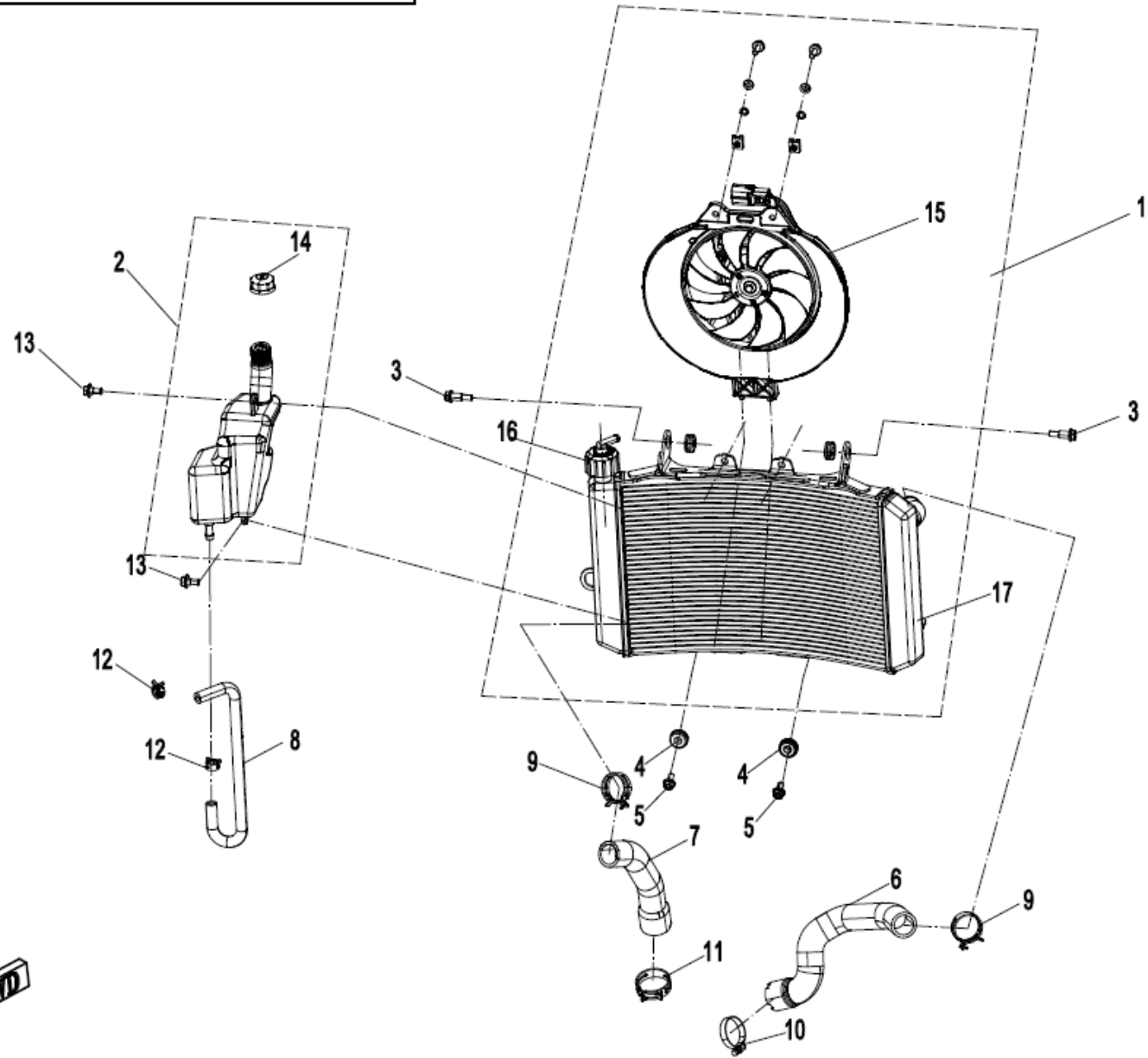
NO.	CODE	EN DESCRIPTION	QTY	REMARKS
F16-B-01	6KWV-160110-1000	HEADLIGHT	1	
F16-B-02	30110-420130070	SELF-TAPPING SCREW ST4.2x13-C-H	6	
F16-B-03	6KJV-160920-8001-M1	FRONT SIDE REFLECTOR	2	
F16-B-04	6KWV-160520-1000	RH FRONT TURN LIGHT ASSY	1	
F16-B-05	0180-014010	WIRE CLIP	2	
F16-B-06	30110-421130010	SCREW ST4.2x13	4	
F16-B-07	6KWV-160510-1000	LH FRONT TURN LIGHT ASSY	1	
F16-B-08	6KWV-160540-1000	RH REAR TURN LIGHT ASSY	1	
F16-B-09	6KWV-160533-1000	TURN LIGHT LIMIT RH BRACKET TAPE	2	
F16-B-10	6KWV-160531-1000	TURN LIGHT LIMIT BRACKET	2	
F16-B-11	6KWV-160532-1000	TURN LIGHT LIMIT LH BRACKET TAPE	2	
F16-B-12	6KWV-160530-1000	LH REAR TURN LIGHT ASSY	1	
F16-B-13	8010-000002	TOOL ST4.2	4	
F16-B-14	8030-040800-00001	NUT CLIP M6	1	
F16-B-15	6KWV-160200-1002	TAIL LIGHT	1	
F16-B-16	30006-050012870	BOLT	1	
F16-B-17	30110-350095010	SCREW ST3.5x9.5	2	
F16-B-18	6GUV-160600-6200	LICENSE LIGHT	1	
F16-B-19	6KM0-160230-00001	REAR REFLECTOR	1	
F16-B-20	6KWV-173300-1101	AUXILIARY SIGNAL CONTROLLER	1	
F16-B-21	6KWV-173200-1101	RH AUXILIARY SIGNAL INDICATOR	1	
F16-B-22	30110-420160070	SCREW	2	
F16-B-23	30110-420095010	SELF-TAPPING SCREW ST4.2x9.5	2	
F16-B-24	6KWV-173100-1101	LH AUXILIARY SIGNAL INDICATOR	1	

仪表/DASHBORD ASSY

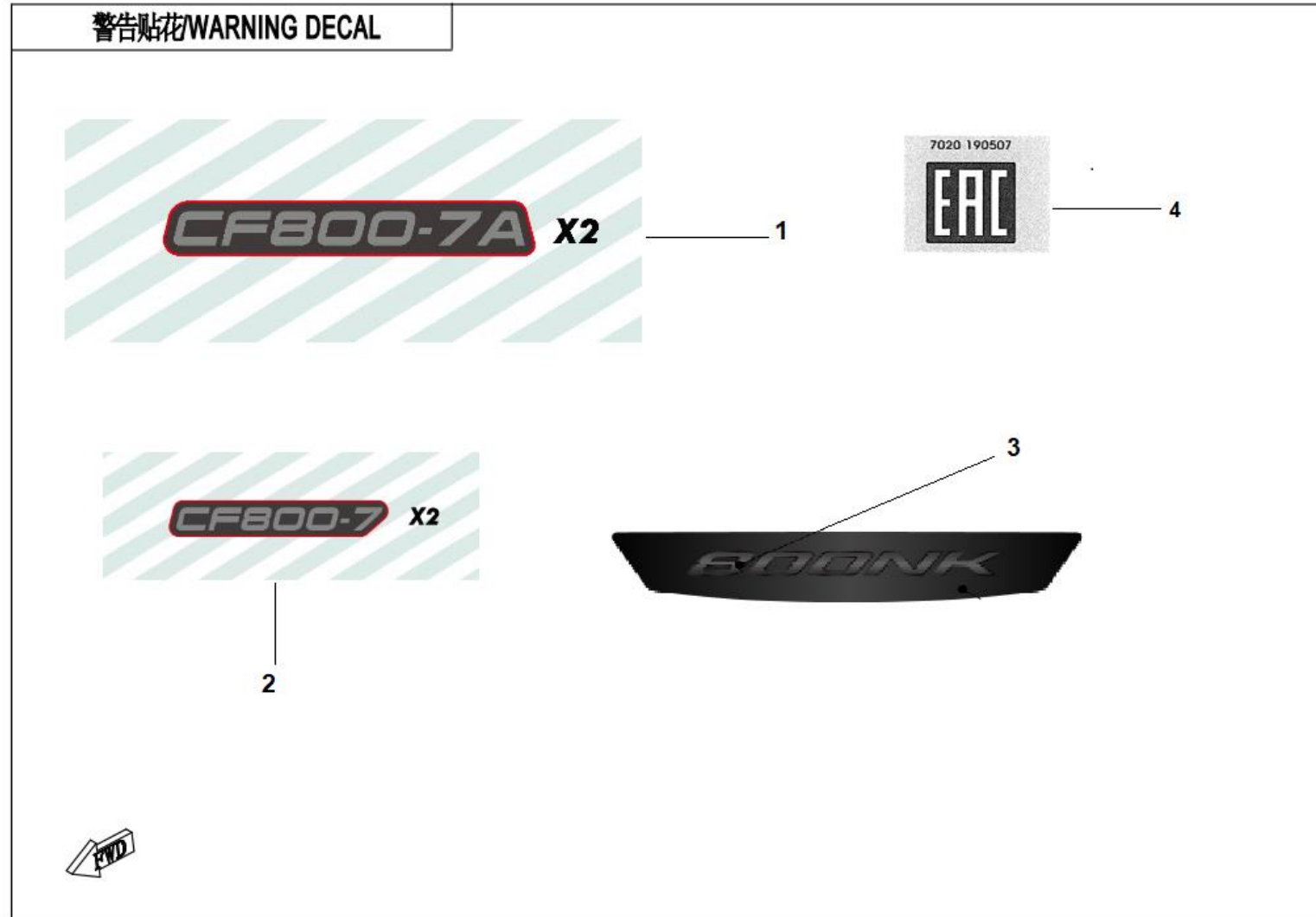


NO.	CODE	EN DESCRIPTION	QTY	REMARKS
F17-B-01	6KWV-170500-1100-20	MMI DASHBOARD	1	

冷却系统/COOLING SYSTEM



NO.	CODE	EN DESCRIPTION	QTY	REMARKS
F18-01	6KWV-181000-1000	RADIATOR FAN ASSY	1	
F18-02	6KWV-180100-1000	RESERVOIR ASSY	1	
F18-03	6WWV-180008-5000	STEPPED SCREW M6x25	2	
F18-04	6WWV-180009-5000	THREADED DAMPING RUBBER	2	
F18-05	30006-060010810	BOLT M6x10	2	
F18-06	6WWV-180001-5000	WATER INLET PIPE, RADIATOR	1	
F18-07	6KWV-180002-1000	WATER OUTLET PIPE, RADIATOR	1	
F18-08	6KWV-180004-1000	RESERVOIR PIPE	1	
F18-09	6WWV-180006-5000	CLAMP B32	2	
F18-10	6WWV-180007-5000	CLAMP B38	1	
F18-11	30603-040000	CLAMP d40	1	
F18-12	30601-212570	CLAMP	2	
F18-13	8010-000004	BOLT M6x14	2	
F18-14	6KM#-180210-8000-20	RESERVOIR TANK COVER	1	
F18-15	6WWV-181010-5000	FAN MOTOR ASSY	1	
F18-16	6GUV-181010-6001	FILLER CAP ASSY	1	
F18-17	6KWV-181100-1000	RADIATOR ASSY	1	



NO.	CODE	EN DESCRIPTION	QTY	REMARKS
F19-01	6KWV-190006-1100-10	MODEL DECAL	1	
F19-02	6KWV-190006-1000-10	MODEL DECAL	1	
F19-03	6KWV-190008-1001	FUEL TANK UPPER DECO GUARD LABEL	1	
F19-04	7020-190507	EAC LABEL	1	

6KWV-190100-1001-10 个性贴花总成

星光白车色



贴花面材图例
 (位置及尺寸仅供参考, 实际以实物为准)

透明亮光
 透明哑光

使用透明面料, 亚光光油

① 工件: 油箱右装饰板
 材质: ABS
 尺寸: 329*104



② 工件: 油箱左装饰板
 材质: ABS
 尺寸: 321*104



③ 工件: 散热器右装饰板
 材质: PP-TD10
 尺寸: 118*34



④ 工件: 散热器左装饰板
 材质: PP-TD10
 尺寸: 118*34



⑤ 工件: 导流装饰罩
 材质: PC
 尺寸: 104*55



⑥ 工件: 前挡泥板装饰板
 材质: ABS
 尺寸: 122*63



⑦ 工件: 后坐垫后装饰板
 材质: ABS
 尺寸: 95*27



⑧ 工件: 后坐垫后装饰板
 材质: ABS
 尺寸: 95*27



⑨ 工件: 前、后轮辋
 材质: 铸铝
 数量: *4
 尺寸: 471*185



⑩ 工件: 前、后轮辋
 材质: 铸铝
 数量: *4
 尺寸: 451*156



⑩ 工件: 前挡泥板右侧
 材质: PA-ASA
 尺寸: 267*57

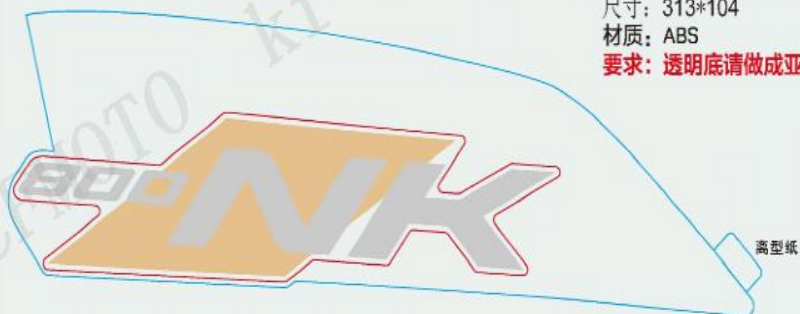
⑪ 工件: 前挡泥板左侧
 材质: PA-ASA
 尺寸: 267*57

使用透明面料 亮光光油

NO.	CODE	EN DESCRIPTION	QTY	REMARKS
F19-3-01	6KWV-190101-1000-10	DECAL, FUEL TANK RH DECO PLATE	1	
F19-3-02	6KWV-190102-1000-10	DECAL, FUEL TANK LH DECO PLATE	1	
F19-3-03	6KWV-190103-1000-10	RADIATOR RH DECO PLATE DECAL	1	
F19-3-04	6KWV-190104-1000-10	RADIATOR LH DECO PLATE DECAL	1	
F19-3-05	6KWV-190105-1000-10	REAR SEAT REAR DECO PLATE DECAL	1	
F19-3-06	6KWV-190106-1000-10	FRONT FENDER DECO PLATE DECAL	1	
F19-3-07	6KWV-190107-1000-10	ABS DECAL	1	
F19-3-08	6KWV-190108-1000-10	REAR SEAT REAR DECO PLATE DECAL 2	1	
F19-3-09	6KWV-190109-1000-10	FRONT AND REAR RIM DECAL 1	4	
F19-3-10	6KWV-190110-1001-10	ABS DECAL 1	1	
F19-3-11	6KWV-190111-1001-10	ABS DECAL 2	1	
F19-3-12	6KWV-190112-1000-10	FRONT AND REAR RIM DECAL 2	4	
F19-3-13	6KWV-190100-1001-10	DECAL ASSY	1	

使用透明面料 亮光光油

- ① 工件：油箱右装饰板
尺寸：313*104
材质：ABS
要求：透明底请做成亚光状态



- ② 工件：油箱左装饰板
尺寸：317*104
材质：ABS
要求：透明底请做成亚光状态



- ③ 工件：散热器右装饰板
尺寸：118*34
材质：PP-TD10
借用星光白车色



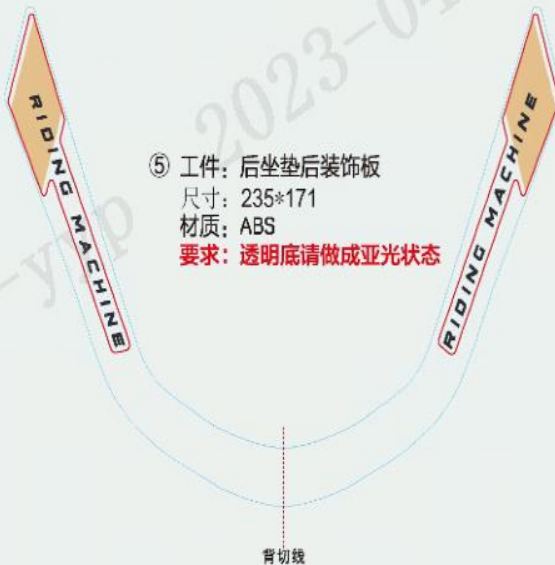
- ④ 工件：散热器左装饰板
尺寸：118*34
材质：PP-TD10
借用星光白车色



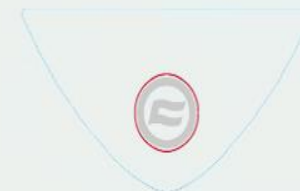
- ⑦ 工件：前挡泥板
尺寸：75*14
材质：PA-ASA
数量：*2

使用透明面料 亚光光油

- ⑤ 工件：后坐垫后装饰板
尺寸：235*171
材质：ABS
要求：透明底请做成亚光状态



- ⑥ 工件：前挡泥板装饰板
尺寸：122*63
材质：ABS

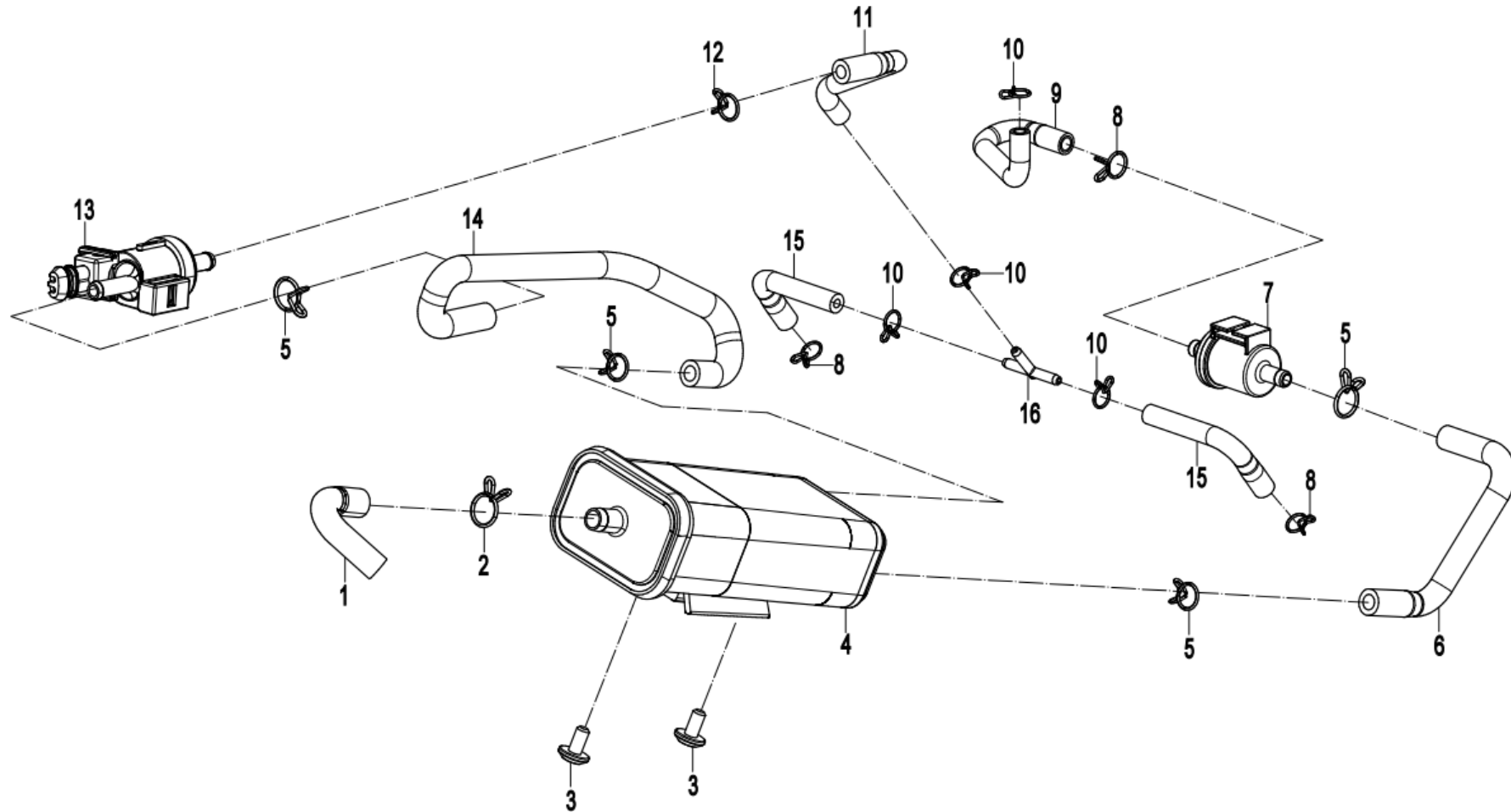


- ⑧ 工件：导流装饰罩
尺寸：55*104
材质：PC
借用星光白车色



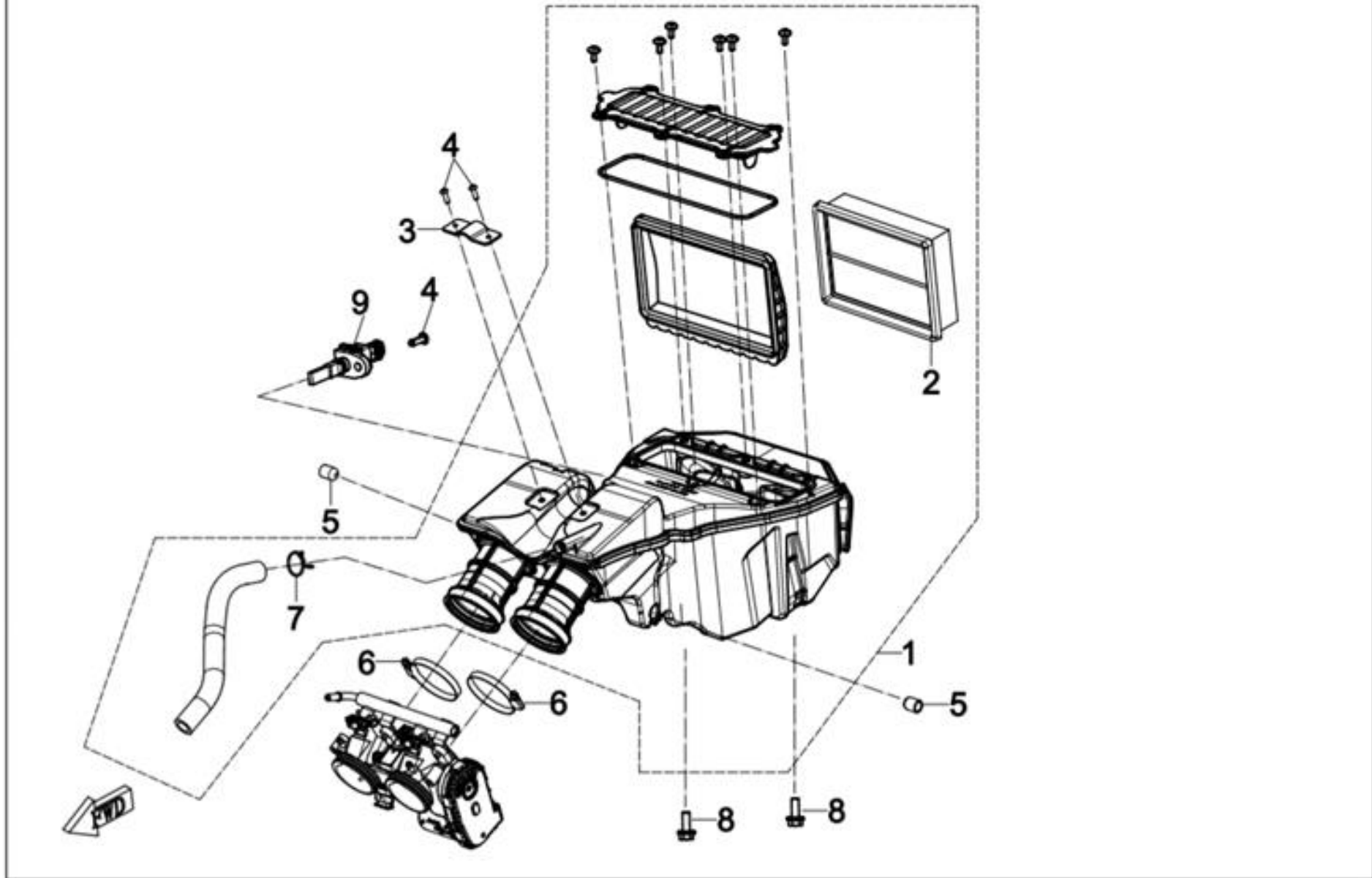
NO.	CODE	EN DESCRIPTION	QTY	REMARKS
F19-4-01	6KWV-190101-1000-11	FUEL TANK RH DECO PLATE DECAL	1	
F19-4-02	6KWV-190102-1000-11	FUEL TANK LH DECO PLATE DECAL	1	
F19-4-03	6KWV-190103-1000-10	RADIATOR RH DECO PLATE DECAL	1	
F19-4-04	6KWV-190104-1000-10	RADIATOR LH DECO PLATE DECAL	1	
F19-4-05	6KWV-190105-1000-11	REAR SEAT REAR DECO PLATE DECAL	1	
F19-4-06	6KWV-190106-1000-11	FRONT FENDER DECO PLATE DECAL	1	
F19-4-07	6KWV-190107-1000-11	ABS DECAL	2	
F19-4-08	6KWV-190105-1000-10	REAR SEAT REAR DECO PLATE DECAL	1	
F19-4-09	6KWV-190100-1000-11	DECAL ASSY	1	

燃油蒸发系统/FUEL VAPOPION SYSTEM



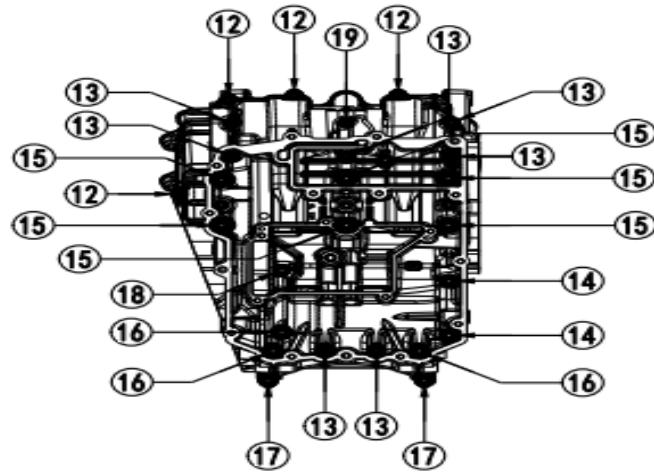
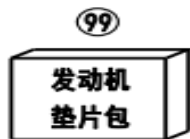
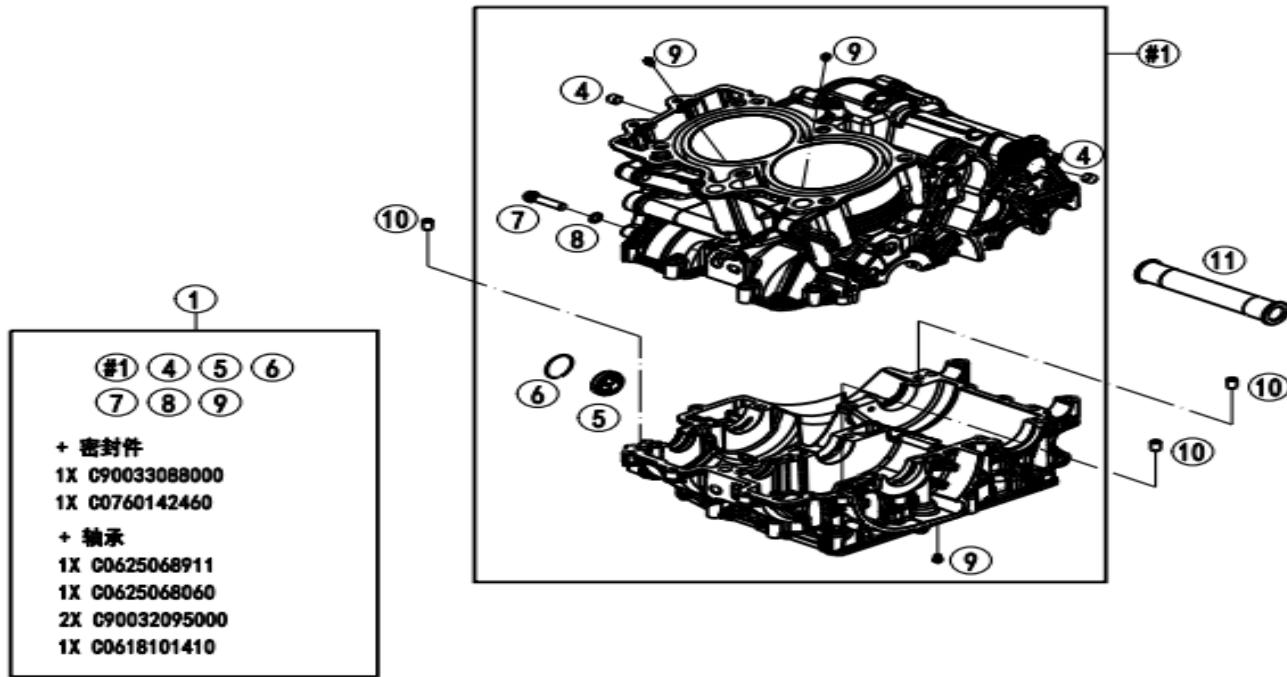
NO.	CODE	EN DESCRIPTION	QTY	REMARKS
F36-01	6WWV-360006-5000	AIR PIPE, CANISTER	1	
F36-02	30601-113010	CLAMP A13	1	
F36-03	6WWV-046702-5000	INNER HEX SCREW M6x12	2	
F36-04	6WWV-360200-5000	CANISTER	1	
F36-05	30601-112010	CLAMP A12	4	
F36-06	6KWV-360002-1000	FUEL ADSORPTION PIPE 2	1	
F36-07	6WWV-360010-5000	TWO-WAY VALVE	1	
F36-08	30601-110010	CLAMP A10	3	
F36-09	6KWV-360001-1000	FUEL ADSORPTION PIPE 1	1	
F36-10	30601-109010	CLAMP A9	4	
F36-11	6WWV-360004-5000	FUEL DESORPTION PIPE 2	1	
F36-12	30601-111010	CLAMP A11	1	
F36-13	1F30-172000	CANISTER MAGNETIC VALVE	1	
F36-14	6KWV-360003-1000	FUEL DESORPTION PIPE 1	1	
F36-15	6WWV-360005-5000	FUEL DESORPTION PIPE 3	2	
F36-16	8010-360001	VACUUM T-JOINT	1	

空滤器/AIR FILTER



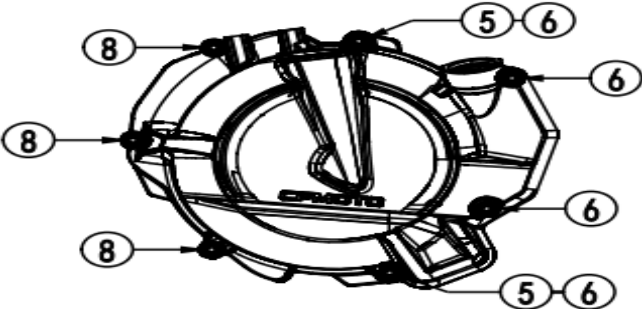
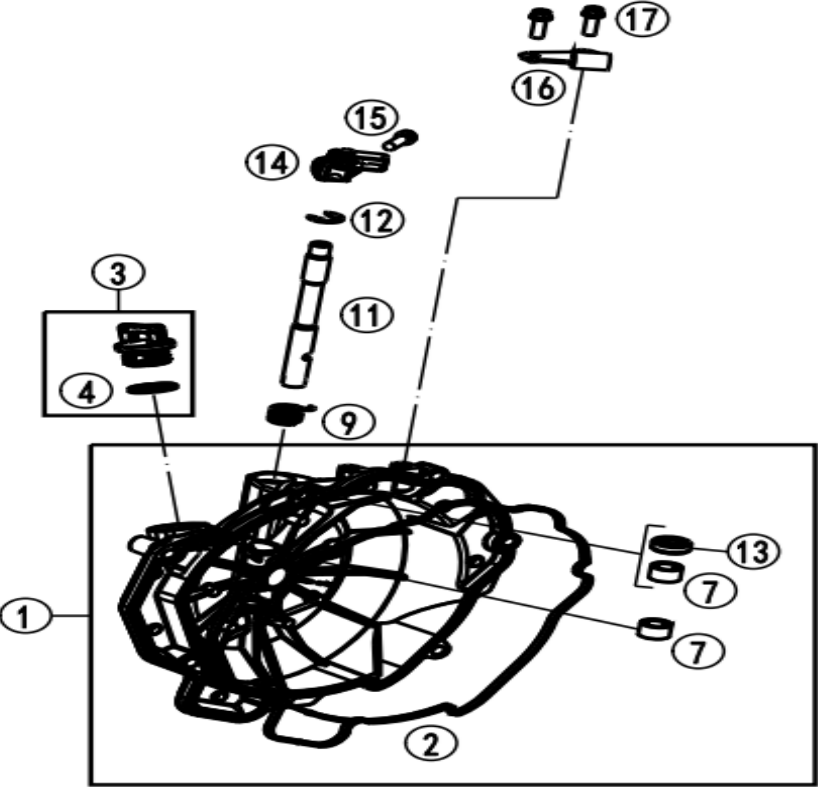
NO.	CODE	EN DESCRIPTION	QTY	REMARKS
F41-01	0PWV-110000-1000	AIR FILTER ASSY	1	
F41-02	0PWV-112000-1000	FILTER ELEMENT	1	
F41-03	0PWV-110007-1000	CABLE CLAMP	1	
F41-04	30110-480160070	SELF-TAPPING SCREW	3	
F41-05	0PW0-110005	RUBBER CONNECTOR	2	
F41-06	9010-020007	A-TYPE SCREW CLAMP	2	
F41-07	30601-118010	CLAMP A18	1	
F41-08	30006-060012870	BOLT M6x12	2	ALT:- 30006-060012810
F41-09	0PW0-173100	AIR INTAKE TEMP. SENSOR	1	

E01-1 ENGINE CASE



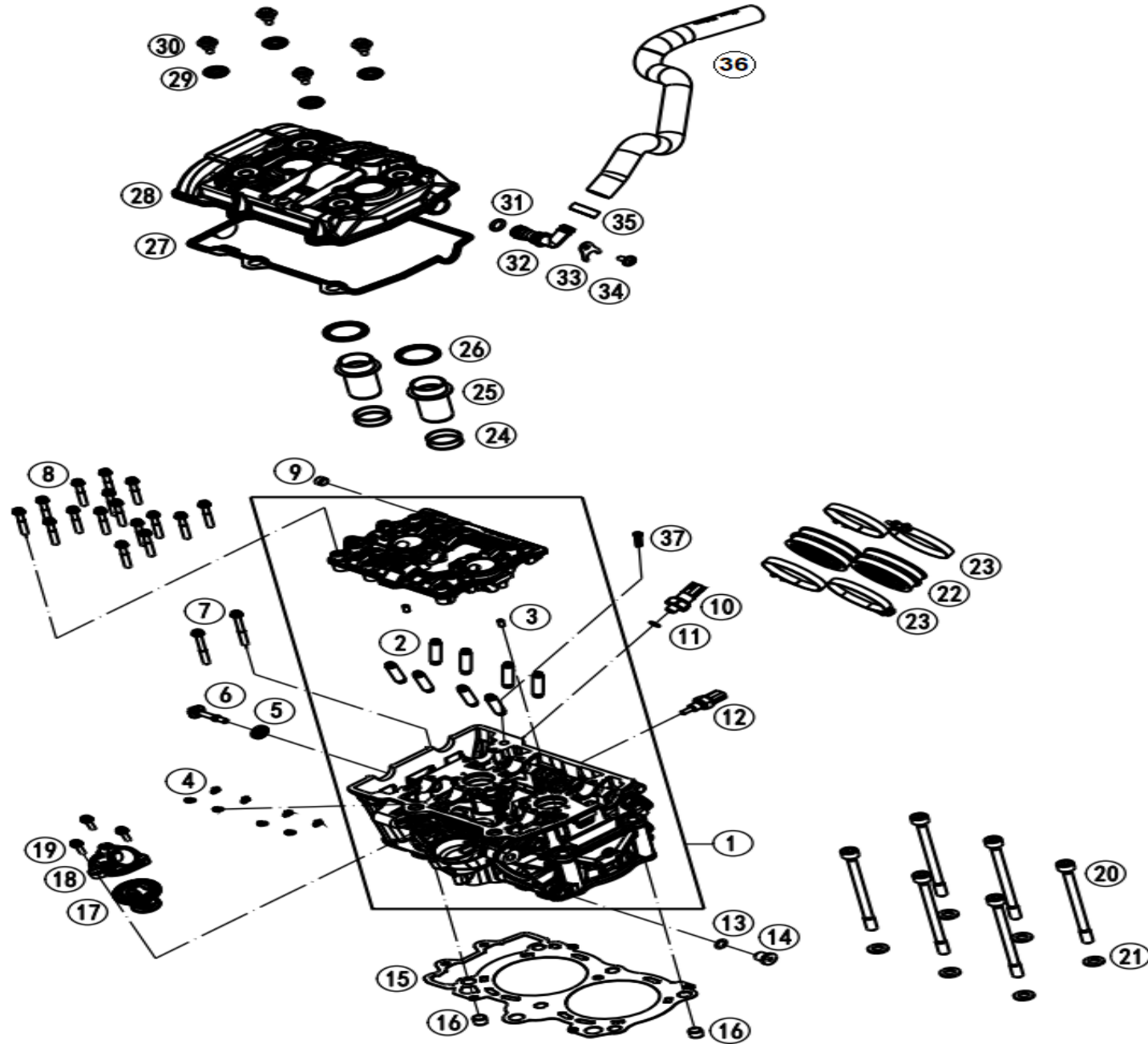
NO.	CODE	EN DESCRIPTION	QTY	REMARKS
E01-1-01	C9003000024424	ENGINE CASE CPL.	1	
E01-1-01	C90030000244FBP	ENGINE CASE CPL.	1	
E01-1-04	C0906100100	SCREW 10X1-8 DIN 906	2	
E01-1-05	C90030019200	OIL LEVEL VIEWER	1	
E01-1-06	C90030019050	CIRCLIP RB30X1	1	
E01-1-07	C0025080356	SCREW. M8X35	1	
E01-1-08	C0603082131	CU RING D8,2/13/1	1	
E01-1-09	C90030063070	PISTON NOZZLE	3	
E01-1-10	C90030024000	FITTING SLEEVE 6X8X11	3	
E01-1-11	C90030010000	SWING ARM BUSH	1	
E01-1-12	C00002506030U0	HEX COLLAR SCR.,M6X30,ISA 40 W.WASHER	4	
E01-1-13	C00002506060U0	HEX COLLAR SCR.,M6X60,ISA 30 W.WASHER	7	
E01-1-14	C0025080906	SCREW M8X90	2	
E01-1-15	C00002508090U0	HEX COLLAR SCR.,M8X90,ISA 40 W.WASHER	6	
E01-1-16	C0025080656	SCREW M8X65	3	
E01-1-17	C0025080556	SCREW M8X55	2	
E01-1-18	C0025080456	SCREW M8X45	1	
E01-1-19	C00002508065U0	HEX COLLAR SCR.,M8X65,ISA 40 W.WASHER	1	
E01-1-99	C90030099000	GASKET-SET	1	

E01-2 CLUTCH COVER



NO.	CODE	EN DESCRIPTION	QTY	REMARKS
E01-2-01	C9003000114424	CLUTCH COVER CPL.	1	
E01-2-01	C90030001144FBP	CLUTCH COVER CPL.	1	
E01-2-02	C90030025100	MOLD RING CLUTCH COVER	1	
E01-2-03	C90030020100FHB	OIL PLUG CPL. M24X3	1	
E01-2-04	C90030020100	PLUG COMPL. M24X3	1	
E01-2-05	C0770191015	O-RING	1	
E01-2-06	C90030024000	FITTING SLEEVE 6X8X11	2	
E01-2-07	C0025060356	SCREW M6X35	4	
E01-2-08	C0618121610	NEEDLE SLEEVE HK1210 12/16/10	2	
E01-2-09	C0025060256	SCREW M6X25	3	
E01-2-10	C90032048003	RETURN SPRING RELEASE LEVER	1	
E01-2-11	C90032049000	RELEASE SHAFT	1	
E01-2-12	C0799090003	LOCKING WASHER	1	
E01-2-13	C0760122060	SEAL 12/20/6	1	
E01-2-14	C90032148033	RELEASE LEVER ASSEMBLY	1	
E01-2-15	C014580060206S	CYL. SCREW M6X20	2	
E01-2-16	C90032052100	CABLE RETAINING BRACKET	1	
E01-2-17	C0025060166S	SCREW M6X16	2	

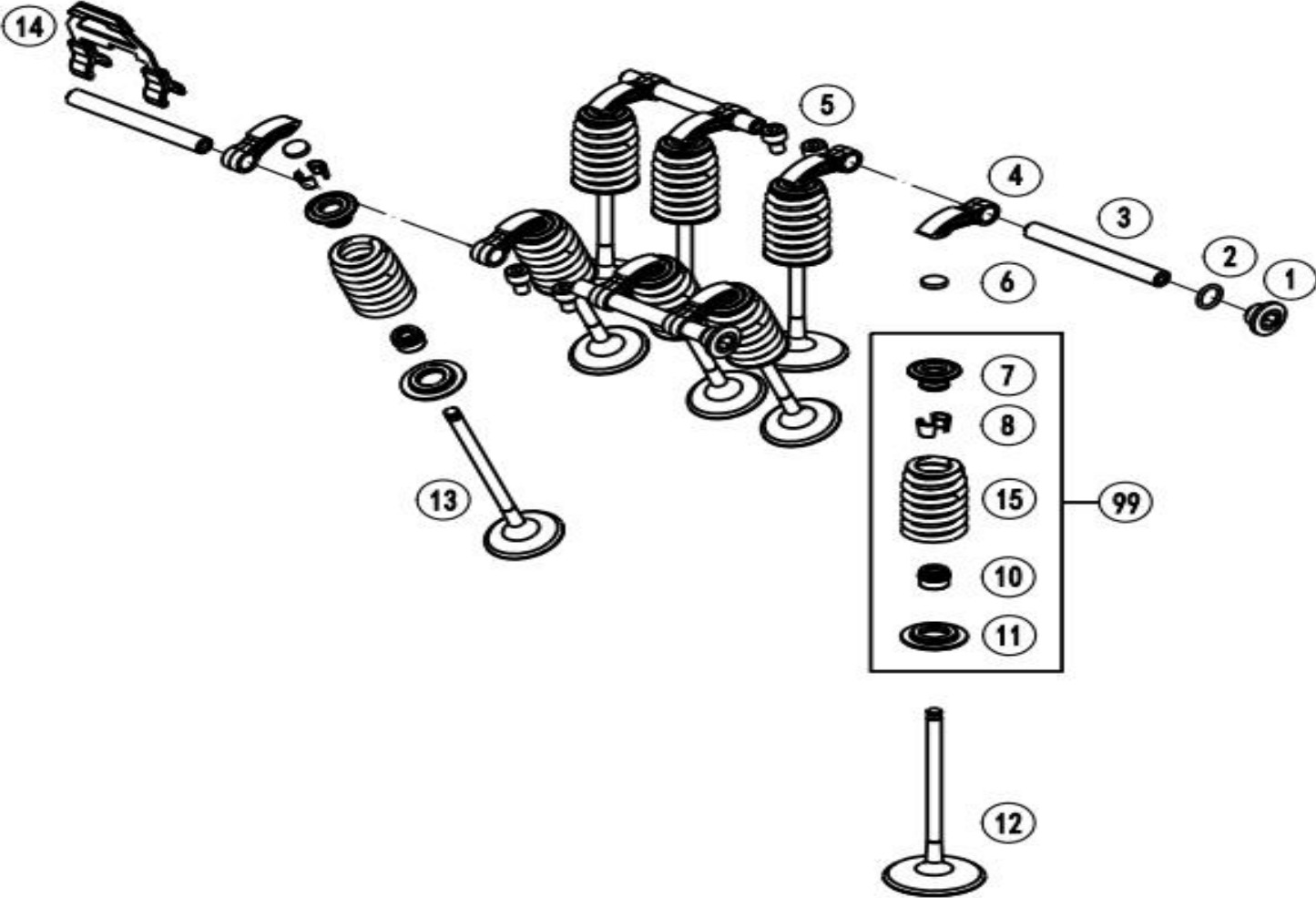
E02-1 CYLINDER HEAD



NO.	CODE	EN DESCRIPTION	QTY	REMARKS
E02-1-01	C9003602010024	CYLINDER HEAD	1	
E02-1-01	C90036020100FBP	CYLINDER HEAD	1	
E02-1-02	C90036025000	VALVE GUIDE INLET+EXHAUST	8	
E02-1-03	C0402050980	NEEDLE ROLLER 5X9.8	2	
E02-1-04	C90030063050	OIL PRESSURE NOZZLE M5 50	8	
E02-1-05	C90036052010	DECOUPLING	1	
E02-1-06	C90036055000	VALVE MECHANISM COVER SCREW	1	
E02-1-07	C0025060556	SCREW M6X55	2	
E02-1-08	C0025060405	SCREW M6X40	16	
E02-1-09	C0906100100	SCREW 10X1-8 DIN 906	1	
E02-1-10	C90038091000	OIL PRESSURE SWITCH	1	
E02-1-11	C07700900151	O-RING 9X1,5	1	
E02-1-12	C90035047000	COOLANT TEMPERATURE SENSOR	1	
E02-1-13	C0770100020	O-RING	1	
E02-1-14	C0908120153	SCREW M12X1,5	1	
E02-1-15	C90030036300	CYLINDER HEAD GASKET	1	
E02-1-16	C90030014100	PASS BUSHING 10,2/12,5/10	2	
E02-1-17	C90035017000	THERMOSTAT 76°C	1	
E02-1-18	C63635019000	COOLANT CONNECTION	1	
E02-1-19	C0025050166S	SCREW M5X16	3	
E02-1-20	C90030044000	CYLINDER HEAD SCREW M10	6	
E02-1-21	C90036089010	WASHER 10,5/19/2,5	6	
E02-1-22	C90036044000	INTAKE RUBBER	2	
E02-1-23	C61236048000	HOSE CLAMP D66	4	
E02-1-24	C0770298178	O-RING 29,87X1,78	4	
E02-1-25	C63536075000	SPARK PLUG SHAFT INSERT	2	
E02-1-26	C90036075050	GASKET SPARK PLUG SHAFT INSERT	2	
E02-1-27	C90036053000	VALVE MANISM COVER GASKET	1	
E02-1-28	C90036052000FBP	VALVE MECHANISM COVER RAW PART	1	
E02-1-29	C90036054160	DECOUPLING ELEMENT	4	
E02-1-30	C90036054150	VALVE COVER SCREW	4	
E02-1-31	C0770012030	O-RING 12X3 VITON	1	
E02-1-32	C90036081000	ANGLE PIECE BLEEDER	1	

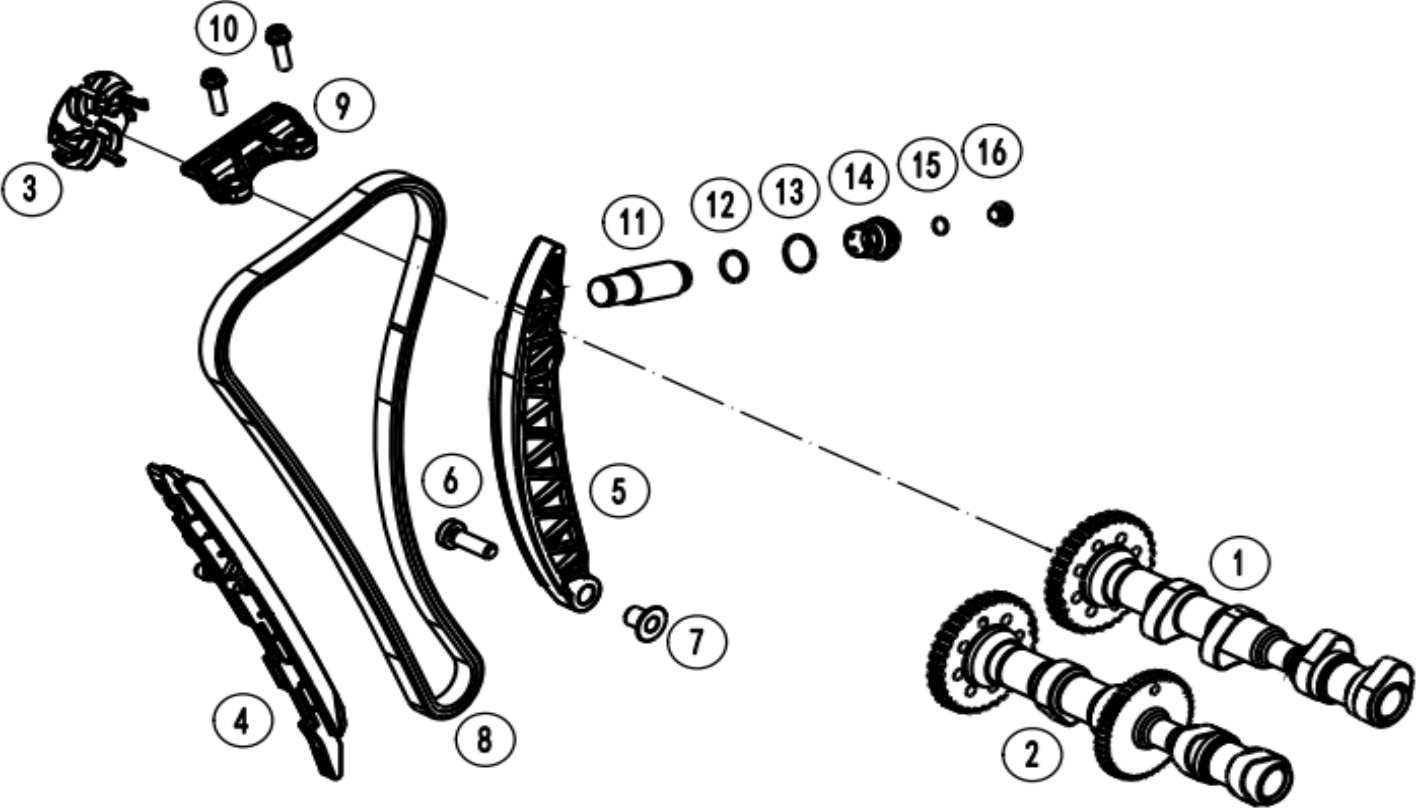
NO.	CODE	EN DESCRIPTION	QTY	REMARKS
E02-1-33	C90036082150	RETAINING BRACKET ANGLE PIECE	1	
E02-1-34	C0025060126	SCREW M6X12	1	
E02-1-35	C00050198706	VARIABLE ONE-YEAR CLAMP 19.8MM	1	
E02-1-36	C90030087100	ENIGNE BREATHER HOSE	1	
E02-1-37	C90038016000	OIL SCREEN	1	
E02-1-38	C63505015000	STUD M8X25	1	

E02-2 VALVE DRIVE



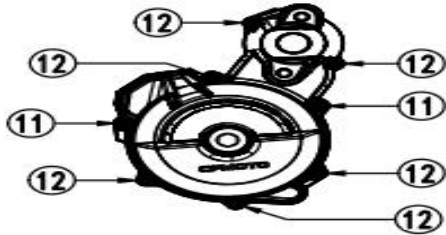
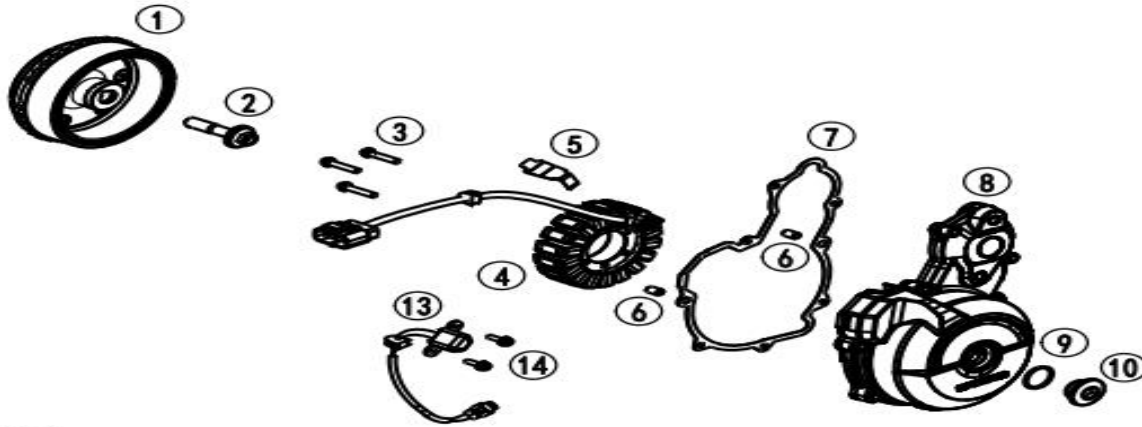
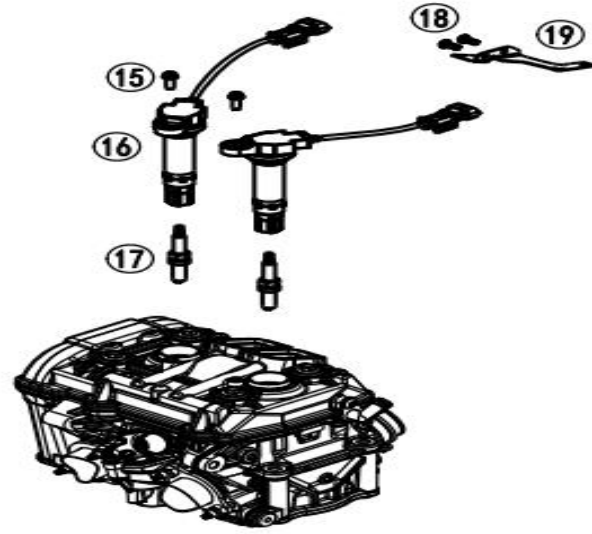
NO.	CODE	EN DESCRIPTION	QTY	REMARKS
E02-2-01	K-77236080000	SCREW PLUG	2	
E02-2-02	C07700900151	O-RING 9X1,5	2	
E02-2-03	C90036056000	CAM FOLLOWER SHAFT	4	
E02-2-04	C90036360000	CAM FELLOWER	8	
E02-2-05	C0912050083	CAP HEAD BOLT DIN 912 M5X8	4	
E02-2-06	C90036035220	SHIM D8,9 T=2.20	X	
E02-2-06	C90036035224	SHIM D8,9 T=2.24	X	
E02-2-06	C90036035228	SHIM D8,9 T=2.28	X	
E02-2-06	C90036035232	SHIM D8,9 T=2.32	X	
E02-2-07	C90036032100	VALVE SPRING RETAINER	8	
E02-2-08	C90036033000	VALVE COLLET	16	
E02-2-10	C90036027100	VALVE GUIDE SEALING	8	
E02-2-11	C90036036000	VALVE SPRING WASHER	8	
E02-2-12	C90036030000	INLET VALVE	4	
E02-2-13	C90036031000	EXHAUST VALVE	4	
E02-2-14	C90036056050	AXIALCLIP FOR CAM FOLLOWER	1	
E02-2-15	C90036028100	VALVE SPRING	8	
E02-2-99	C90036028044	VALVE SPRING KIT	1	

E02-3 TIMING DRIVE



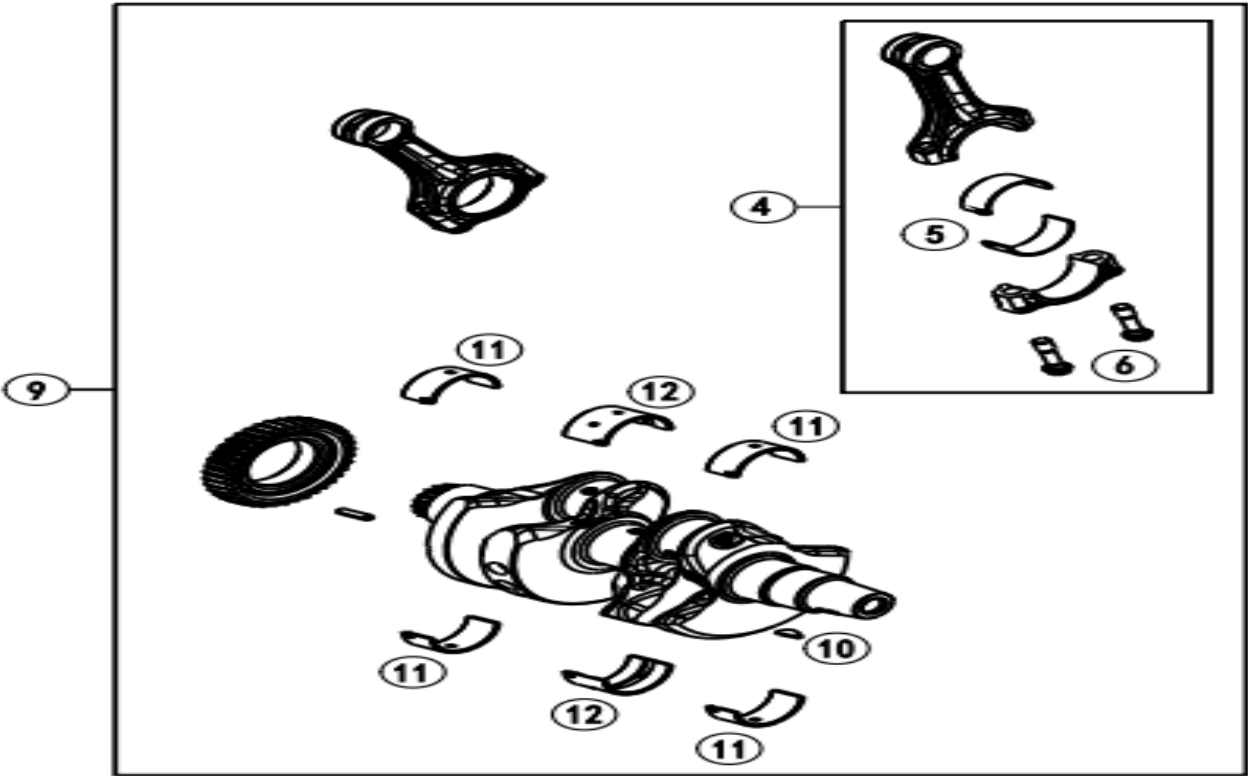
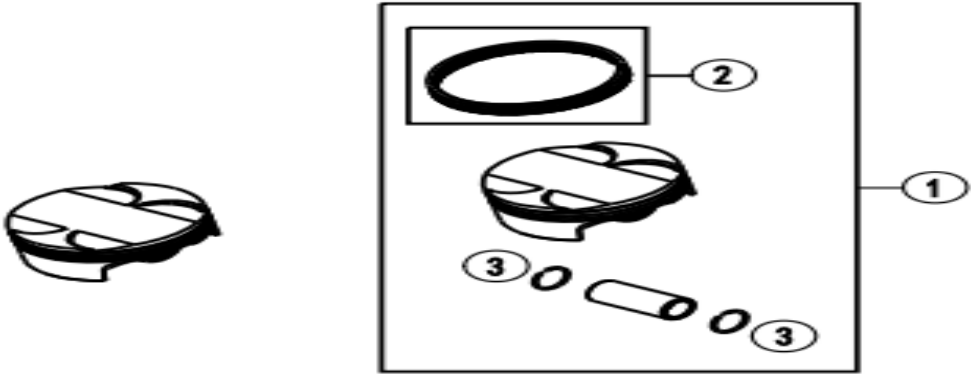
NO.	CODE	EN DESCRIPTION	QTY	REMARKS
E02-3-01	C90036009044	CAMSHAFT INLET(ASSEMBLY)	1	
E02-3-02	C90036010044	CAMSHAFT EXHAUST (ASSEMBLY)	1	
E02-3-03	C90036080000	VENTING CENTRIFUGE	1	
E02-3-04	C90036101000	GUIDE RAIL	1	
E02-3-05	C90036102100	SLIDE RAIL	1	
E02-3-06	C0035080256S	SCREW M8X25	1	
E02-3-07	C90036002150	COLLAR BUSHING	1	
E02-3-08	C90036013000	TIMING CHAIN 132 LIMBS	1	
E02-3-09	C90036105000	SLIDE BAR TOP COMPL.	1	
E02-3-10	C0025060206S	SCREW M6X20	2	
E02-3-11	C90036003100	CHAIN TENSION ADJUSTER	1	
E02-3-12	C0770180020	O-RING 18X2 NBR 70	1	
E02-3-13	C0770220020	O-RING 22X2 NBR 70	1	
E02-3-14	C90036008200	SCREW CHAIN TENSION ADJUSTER CPL.	1	
E02-3-15	C0770010010	O-RING D10X1	1	
E02-3-16	K-77236080000	SCREW PLUG	1	

E03 IGNITION COVER



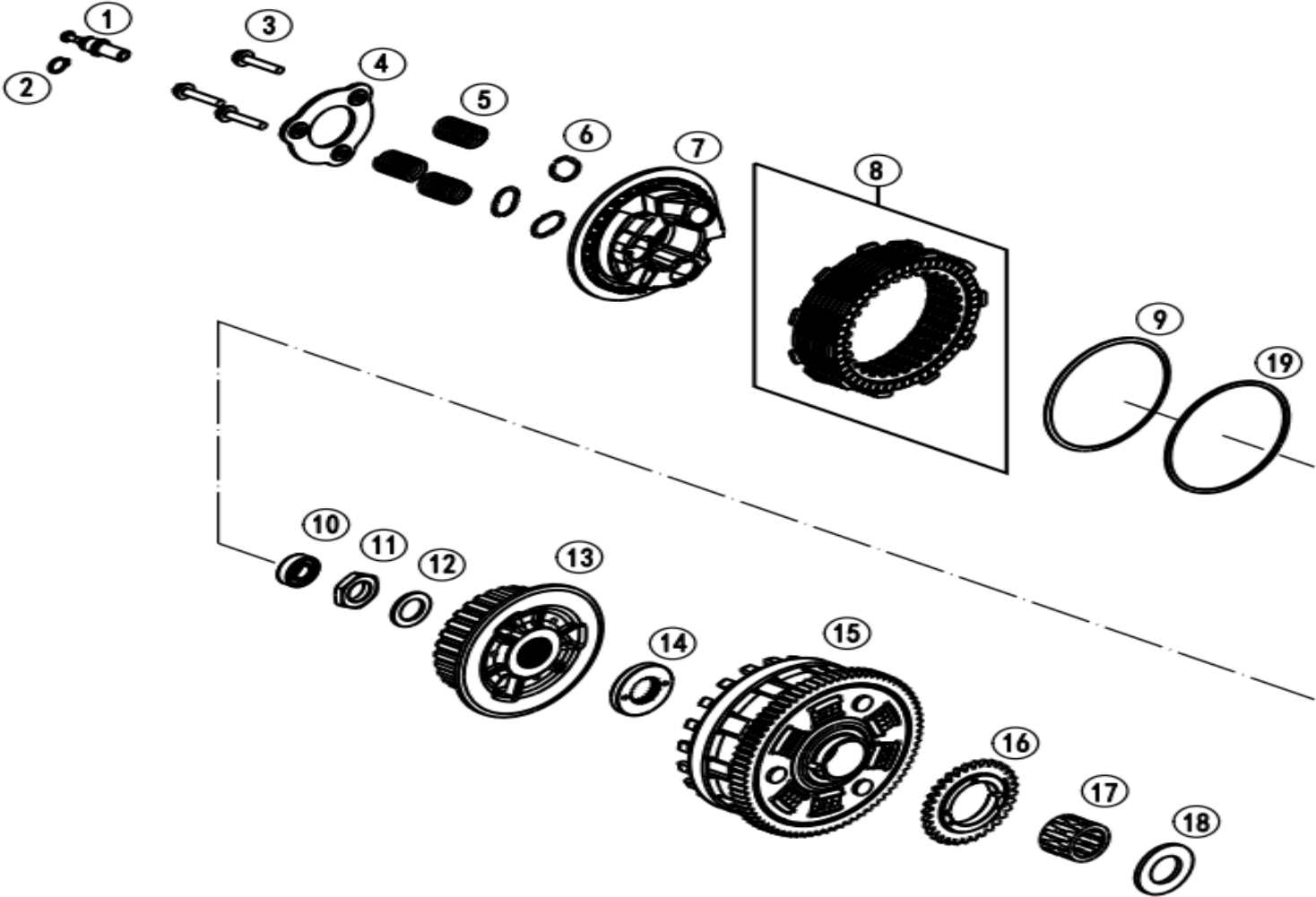
NO.	CODE	EN DESCRIPTION	QTY	REMARKS
E03-01	C90039005000	ROTOR CPL.	1	
E03-02	K-60339003000	SPECIAL SCREW M12X1,5 WS15	1	
E03-03	C0025060306S	SCREW M6X30	3	
E03-04	C90039004000	STATOR	1	
E03-05	C90039040020	CABEL RETAINING BRACKET	1	
E03-06	C90030024000	FITTING SLEEVE 6X8X11	2	
E03-07	C90030040000	IGNITION COVER GASKET	1	
E03-08	C9003000200024	IGNITION COVER	1	
E03-08	C90030002000FBP	IGNITION COVER	1	
E03-09	C07700240251	FITTING SLEEVE 24X2,5	1	
E03-10	C90030094000FHB	CAP M24X1,5 (GRAY)	1	
E03-10	C90030094000	PLUG M24X1.5 PA 6.6	1	
E03-11	C0025060356	SCREW M6X35	2	
E03-12	C0025060306	SCREW M6X30	6	
E03-13	C90039034000	PICKUP SENSOR	1	
E03-14	C0025050166S	SCREW M5X16	2	
E03-15	C0025060166	SCREW M6X16	2	
E03-16	C90039006100	IGNITION COIL	2	
E03-17	C90039093000	SPARK PLUG M10X1	2	
E03-18	30118-480130010	SELF-TAPPING SCREW ST4.8x13	2	
E03-19	C90011038000	RETAINING BRACKET SLS CPL.	1	

E04 CRANKSHAFT



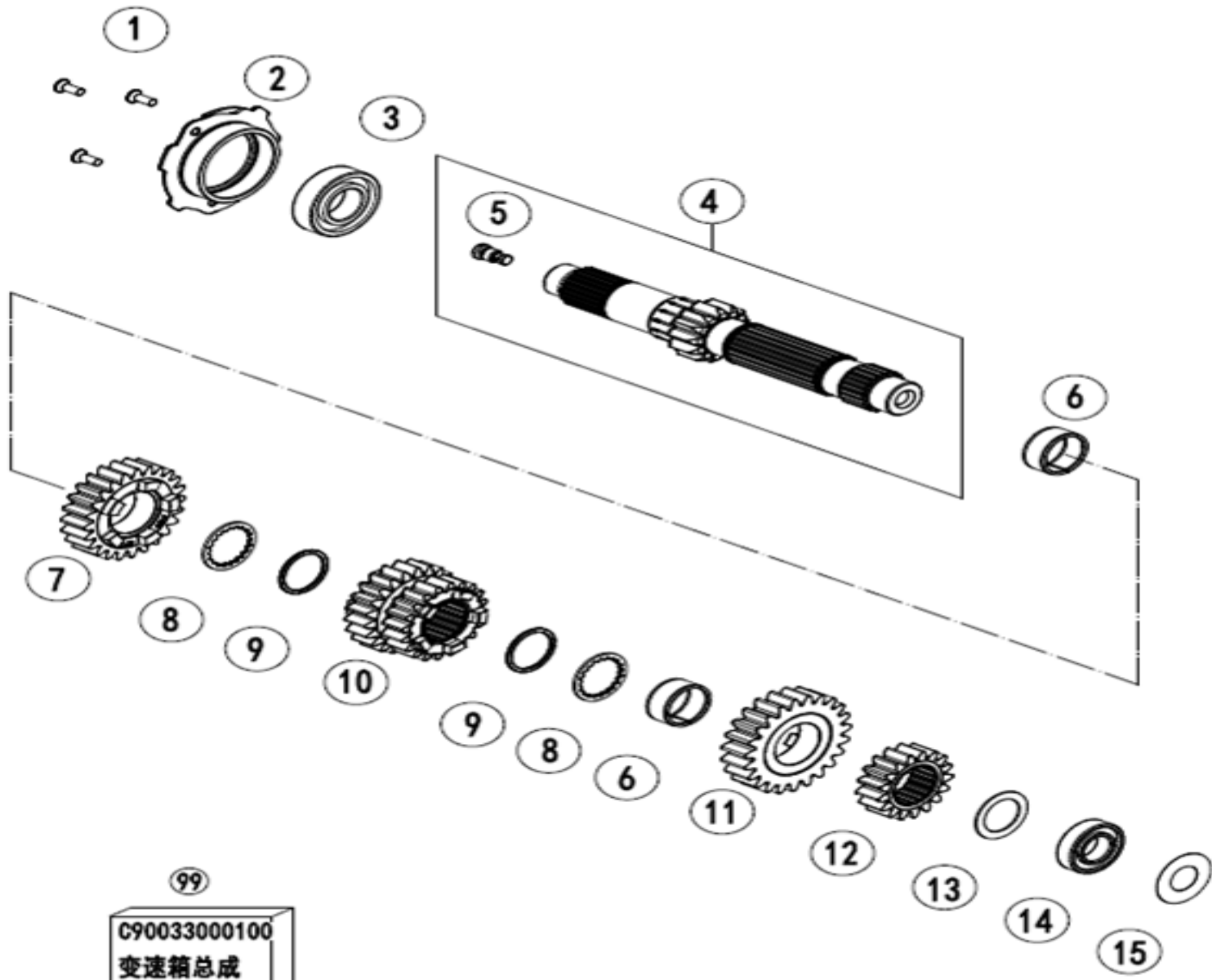
NO.	CODE	EN DESCRIPTION	QTY	REMARKS
E04-01	C90030107033	PISTON CPL. (D88/20)	2	
E04-02	C90030131044	PISTON RING SET D=88MM	2	
E04-03	C90030174000	CIRCLIP	4	
E04-04	C9003001504401	CONROD ASSY BLUE	2	
E04-05	C9003001504402	CONROD ASSY RED	2	
E04-06	C900300140001	CONNECTING ROD BEARING SHELL 38/41/16 BLUE	X	
E04-07	C900300140002	CONNECTING ROD BEARING SHELL 38/41/16 RED	X	
E04-08	C90030013000	CONNECTING ROD SCREW M8X0,75	4	
E04-09	C90030014044	CRANKSHAFT CMPL	1	
E04-10	C0888040050	SPRING WASHER D13/4	1	
E04-11	C900300820002	MAIN BEARING SHELL 38/42/18 RED	X	
E04-11	C900300820001	PLAIN BEARING SHELL BLUE 38/42/18	X	
E04-12	C900301820001	MAIN BEARING SHELL WITH GROOVE 38/42/25 BLUE	X	
E04-12	C900301820002	MAIN BEARING SHELL WITH GROOVE 38/42/25 RED	X	

E05 CLUTCH



NO.	CODE	EN DESCRIPTION	QTY	REMARKS
E05-01	C90032048104	TENSION BOLT	1	
E05-02	C0471120010	SEGER RING	1	
E05-03	C90032044000	HEX BOLT M6	3	
E05-04	C90032006000	STOP PLATE	1	
E05-05	C90032005000	CLUTCH SPRING	3	
E05-06	C90032041000	SPRING PLATE	3	
E05-07	C90032003000	PRESSURE CAP	1	
E05-08	C90832011010	CLUTCH PLATE PACK	1	
E05-09	C90032034000	SPRING RETAINER	1	
E05-10	C0625060016	BEARING 12/28/8 (TORQUE LIMITER)	1	
E05-11	C90036073150	HEX NUT M20X1,5 H=6	1	
E05-12	C0252012103100	LOCK WASHER HLS 20	1	
E05-13	C90032002000	INNER CLUTCH HUB	1	
E05-14	C90032021000	TOOTHED WASHER	1	
E05-15	C90032001044	OUTER CLUTCH HUB CPL.	1	
E05-16	C90038001232	OIL PUMP DRIVE WHEEL 32Z	1	
E05-17	C0405263525	NEEDLE BEARING 26X35X25	1	
E05-18	C90032020000	WASHER 26/47/2.8	1	
E05-19	C90032035000	SUPPORT RING	1	
E05-99	C90032100000	CLUTCH CPL.	1	

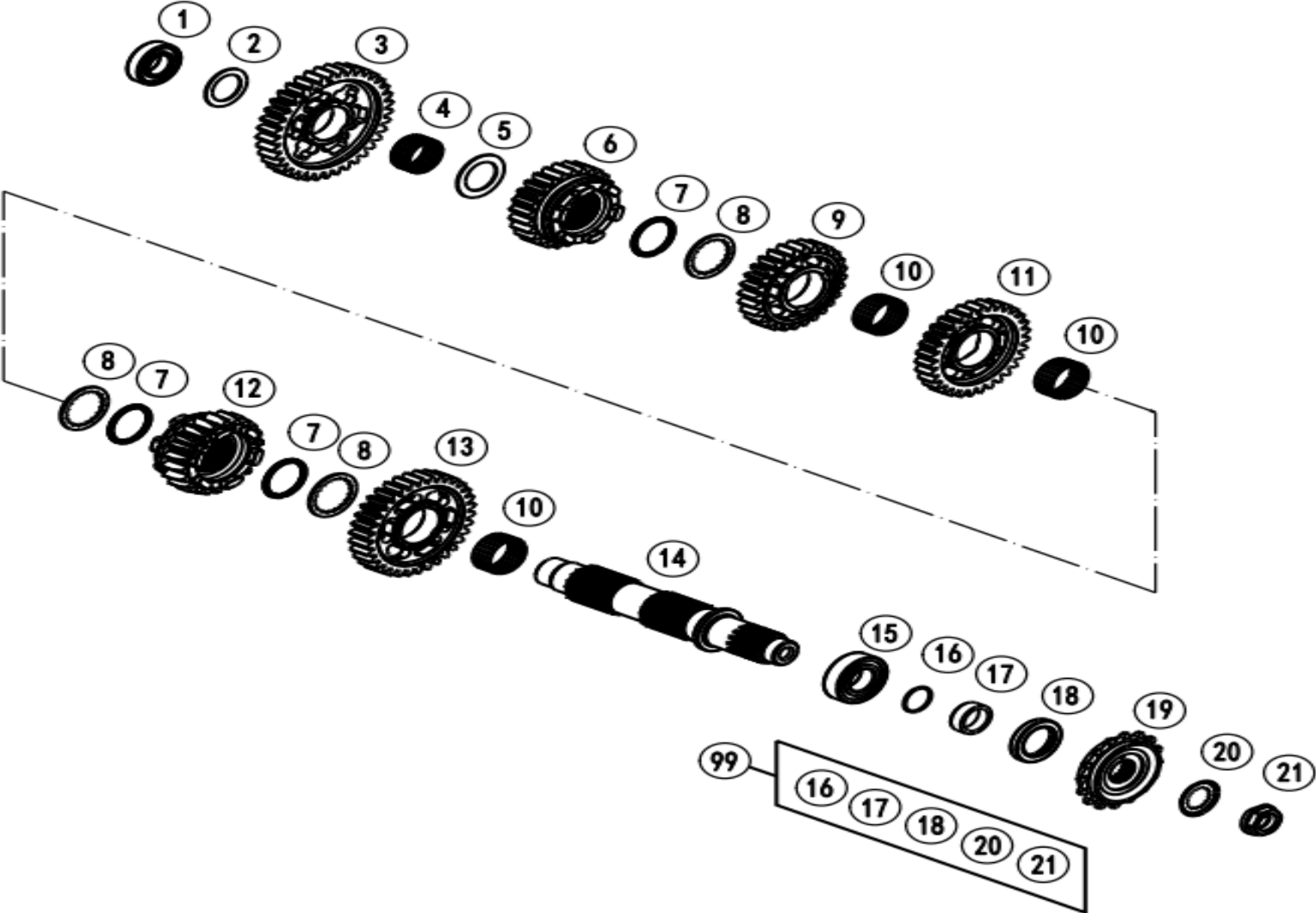
E06-1 MAIN SHAFT



99
C90033000100
变速箱总成

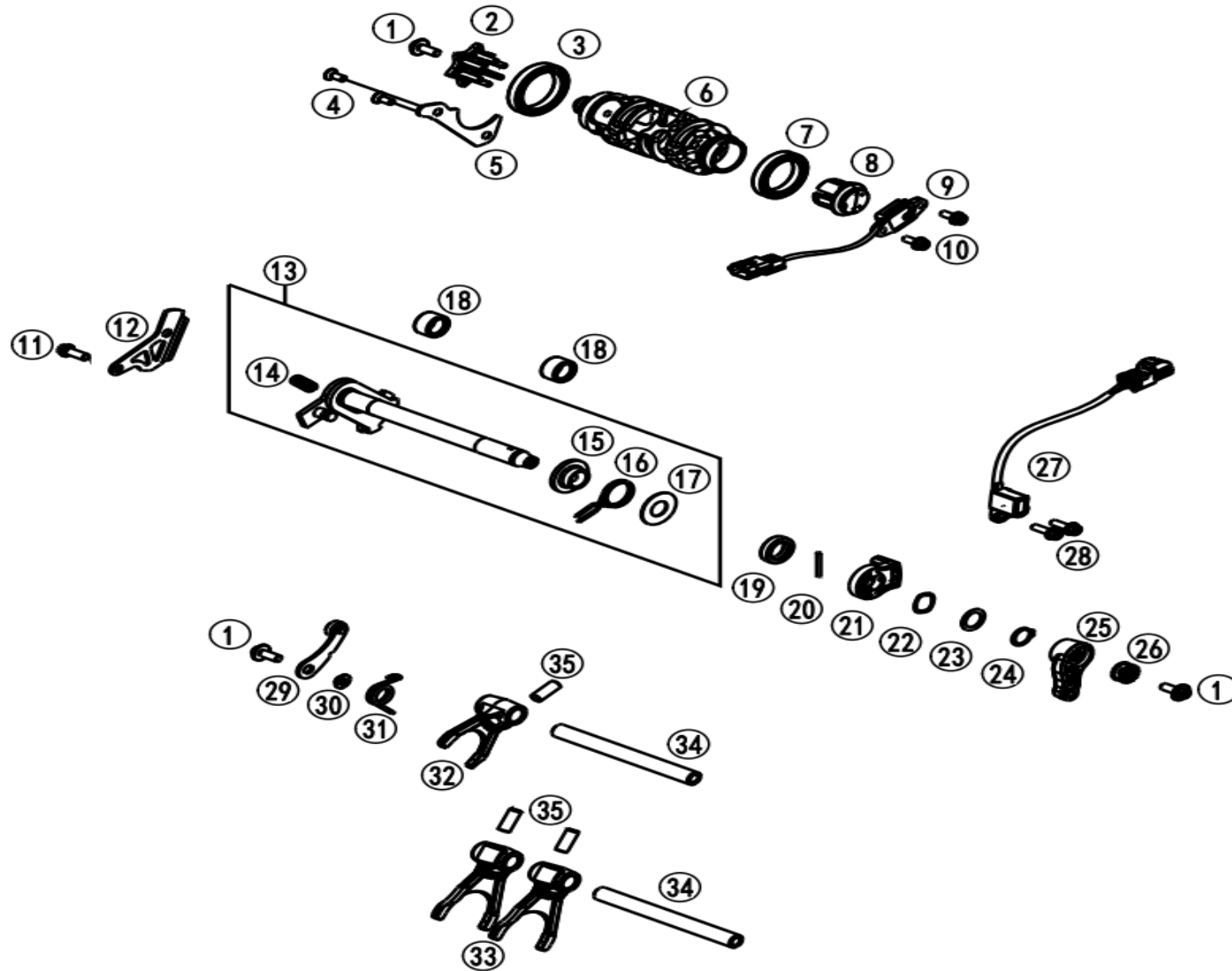
NO.	CODE	EN DESCRIPTION	QTY	REMARKS
E06-1-01	C010642060166S	SCREW	3	
E06-1-02	C90030068000	BEARING FLANGE	1	
E06-1-03	C0625062280	GROOVED BALL BEARING 28X58X16 62/28	1	
E06-1-04	C90033001044	DRIVE SHAFT PREASSEMBLED	1	
E06-1-05	C90033001030	REDUCER 0,3MM M8	1	
E06-1-06	C0405242813G	NEEDLEBEARING K 24X28X13 GETEILT	2	
E06-1-07	C90033005000	IDLER GEAR 5.G	1	
E06-1-08	C90033045000	TOOTHED WASHER D27	2	
E06-1-09	C0471026000	CIRCLIP D26	2	
E06-1-10	C90033003000	SLIDING GEAR 3/4.G	1	
E06-1-11	C90033006000	IDLER GEAR 6.G	1	
E06-1-12	C90033002000	SOLID GEAR 2.G	1	
E06-1-13	C90033032000	STOP DISC 22.2/31.7/1	1	
E06-1-14	C0625068911	DEEP GROOVE BALL BEARINGS 22/45/12 60/22	1	
E06-1-15	C90033088000	SEALING DISC 22X45X0,2	1	
E06-1-99	C90033000100	GEARBOX CPL.(RAUNAQ)	1	

E06-2 COUNTER SHAFT



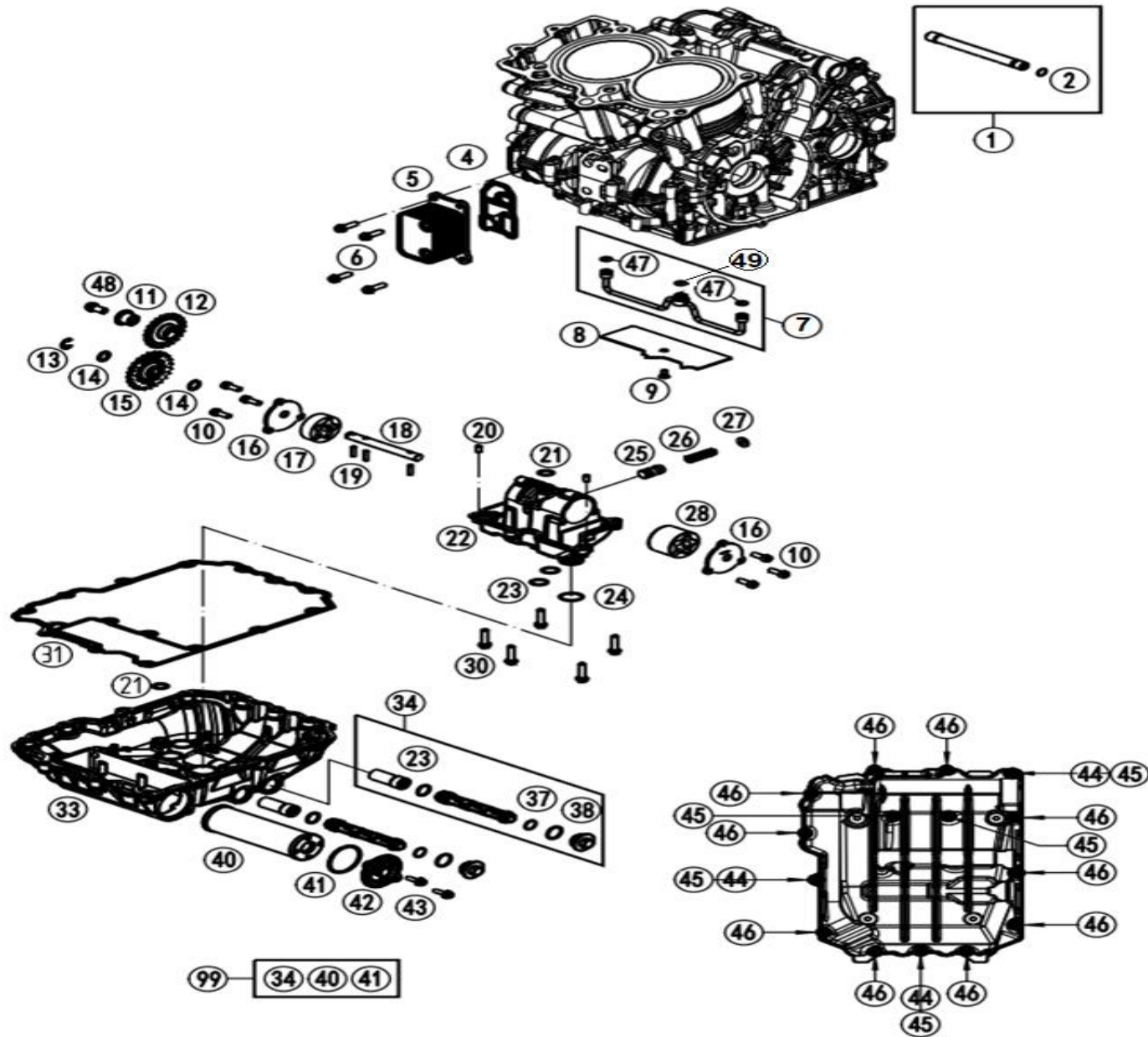
NO.	CODE	EN DESCRIPTION	QTY	REMARKS
E06-2-01	C0625068911	DEEP GROOVE BALL BEARINGS 22/45/12 60/22	1	
E06-2-02	C90033032000	STOP DISC 22.2/31.7/1	1	
E06-2-03	C90033011000	IDLER GEAR 1.G	1	
E06-2-04	C0405242813	NEEDLEBEARING 24X28X13	1	
E06-2-05	C90033034000	STOP DISC 24.3/35.75/1	1	
E06-2-06	C90033015000	SLIDING GEAR 5.G	1	
E06-2-07	C0471029000	SPIRD RETAINING RING D29	3	
E06-2-08	C90033033000	STOP DISC 27/36/1.5	3	
E06-2-09	C90033014000	IDLER GEAR 4.G	1	
E06-2-10	C0405263013G	NEEDLEBEARING 26X30X13 GETEILT	3	
E06-2-11	C90033013000	IDLER GEAR 3.G	1	
E06-2-12	C90033016000	SLIDING GEAR 6.G	1	
E06-2-13	C90033012000	IDLER GEAR 2.G	1	
E06-2-14	C90033010000	OUTPUT SHAFT	1	
E06-2-15	C90030024000	FITTING SLEEVE 6X8X11	1	
E06-2-16	C0770020220	O-RING 25,12/1,78	1	
E06-2-17	C90033032011	DISTANCE BUSHING 11MM	1	
E06-2-18	K-0760003247000	SHAFT SEAL RING 32X47X7 AS-P F	1	
E06-2-19	C90033029116	SPROCKRT 16Z DAMPED	1	
E06-2-20	K-51033031000	LOCKING PLATE	1	
E06-2-21	C90033032300	NUT	1	
E06-2-99	C00050000992	REPAIR KIT OUTPUT SHAFT	X	

E06-3 SHIFTING MECHANISM



NO.	CODE	EN DESCRIPTION	QTY	REMARKS
E06-3-01	C0024060156S	SCREW M6X15	1	
E06-3-02	C90034015000	SHIFT STAR	1	

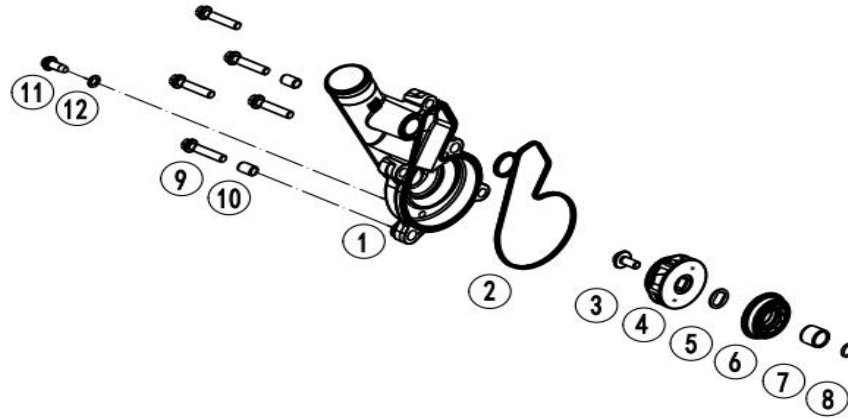
NO.	CODE	EN DESCRIPTION	QTY	REMARKS
E06-3-03	C0625068070	DEEP GROOVE BALL BEARINGS 35/47/7	1	
E06-3-04	C0019050121S	SCREW M5X12	2	
E06-3-05	C90034011200	BEARING RETAINING BRACKET SHIFT DRUM	1	
E06-3-06	C90034012001	SHIFT DRUM	1	
E06-3-07	C0625068060	DEEP GROOVE BALL BEARINGS 30/42/7	1	
E06-3-08	C90034012020	MAGNET HOLDER CPL.	1	
E06-3-09	C90011023100	GEAR POSITION SENSOR	1	
E06-3-10	C0025050126	SCREW M5X12	2	
E06-3-11	C0025060166S	SCREW M6X16	1	
E06-3-12	C90033022000	BEARING LOCK WASHER (SHIFT SHAFT STOP)	1	
E06-3-13	C90034005033	SHIFT SHAFT CPL.	1	
E06-3-14	C90034013100	TORSION SPRING 0.8MM	1	
E06-3-15	C90034020000	SPRING GUIDE	1	
E06-3-16	C90034014000	RETURN SPRING	1	
E06-3-17	C90034050001	STOP DISC 14X30X1	1	
E06-3-18	C90032095000	NEEDLE SLEEVE 14/20/12	2	
E06-3-19	C0760142460	SHAFT SEAL RING 14/24/6	1	
E06-3-20	C0007025241	STUD 2,5X24	1	
E06-3-21	C90034050000	MAGNET HOLDER	1	
E06-3-22	C90034050010	WAVE SPRING	1	
E06-3-23	C0988142005	SHIM 14X20X0,5	1	
E06-3-24	C0471140100	SEEGER RING 14X1	1	
E06-3-25	C9003403000033	LINK SUPPORT CAM	1	
E06-3-26	C90033041500	NORDLOCK WASHER M6	1	
E06-3-27	C90034051100	SHIFT SHAFT SENSOR	1	
E06-3-28	C0984050123S	BOLT DIN6912 M5X12 8.8	2	
E06-3-29	C63534024000	LOCKING LEVER	1	
E06-3-30	C90034052000	STEP WASHER	1	
E06-3-31	C90034023000	SPRING ARREST ARM	1	
E06-3-32	C90034002000	SHIFT FORK	1	
E06-3-33	C90034001000	SHIFT FORK	2	
E06-3-34	C90034019100	SHIFT FORK SHAFT	2	
E06-3-35	C0402080200	NEELDE ROLLER D8X20	3	



NO.	CODE	EN DESCRIPTION	QTY	REMARKS
E07-01	C90030065000	GEARBOX INJECTION PIPE CPL.	1	
E07-02	C0770010010	O-RING D10X1	1	
E07-04	C90038051000	OIL COOLER GASKET	1	
E07-05	C90038050000	OIL/WATTER HEAT EXCHANGER CPL.	1	
E07-06	C0025060206S	SCREW M6X20	4	
E07-07	C90038035000	OIL HOSE CPL.	1	
E07-08	C90030086010	PRESSURE PLATE	1	
E07-09	C0019050121S	SCREW M5X12	1	
E07-10	C014580060126S	CYL. SCREW M6X12	6	
E07-11	C90038003000	BEARING BOLT	1	
E07-12	C90038001022	OIL PUMP IDLER GEAR 22Z	1	
E07-13	C0799080000	LOCK WASHER DIN 6799 - RS 8	1	
E07-14	C90038007010	THRUST WASHER 10/16/0,5	1	
E07-15	C90038001224	OIL PUMP GEAR 24Z	1	
E07-16	C90038008050	OIL PUMP COVER	2	
E07-17	C90038009014	EATON PUMP SET CPL. 14MM	1	
E07-18	C90038002000	OIL PUMP SHAFT	1	
E07-19	C0402041580	NEEDLE ROLLER 4X15.8	3	
E07-20	C0402050980	NEEDLE ROLLER 5X9.8	2	
E07-21	C0770120020	O-RING 12X2	2	
E07-22	C90038012000	OIL PUMP HOUSING	1	
E07-23	C0770140200	O-RING 14X2 NBR 70 SHORE	4	
E07-24	C0770020020	O-RING 20X2 NBR 70	1	
E07-25	C90038128000	CONTROL PISTON	1	
E07-26	C90038026000	OIL COMPRESSION SPRING	1	
E07-27	C90037073000	SHIM	1	
E07-28	C90038010000	EATON PUMP SET 30 MM	1	
E07-30	C0025060256	SCREW M6X25	5	
E07-31	C90030086100	OIL+SUMP+GASKET	1	
E07-33	C9003008500024	OIL PAN	1	
E07-33	C90030085000FBP	OIL PAN	1	
E07-34	C90038021200	OIL SCREEN CPL.	2	
E07-37	C0770125015	O-RING 12.5X1.5	1	

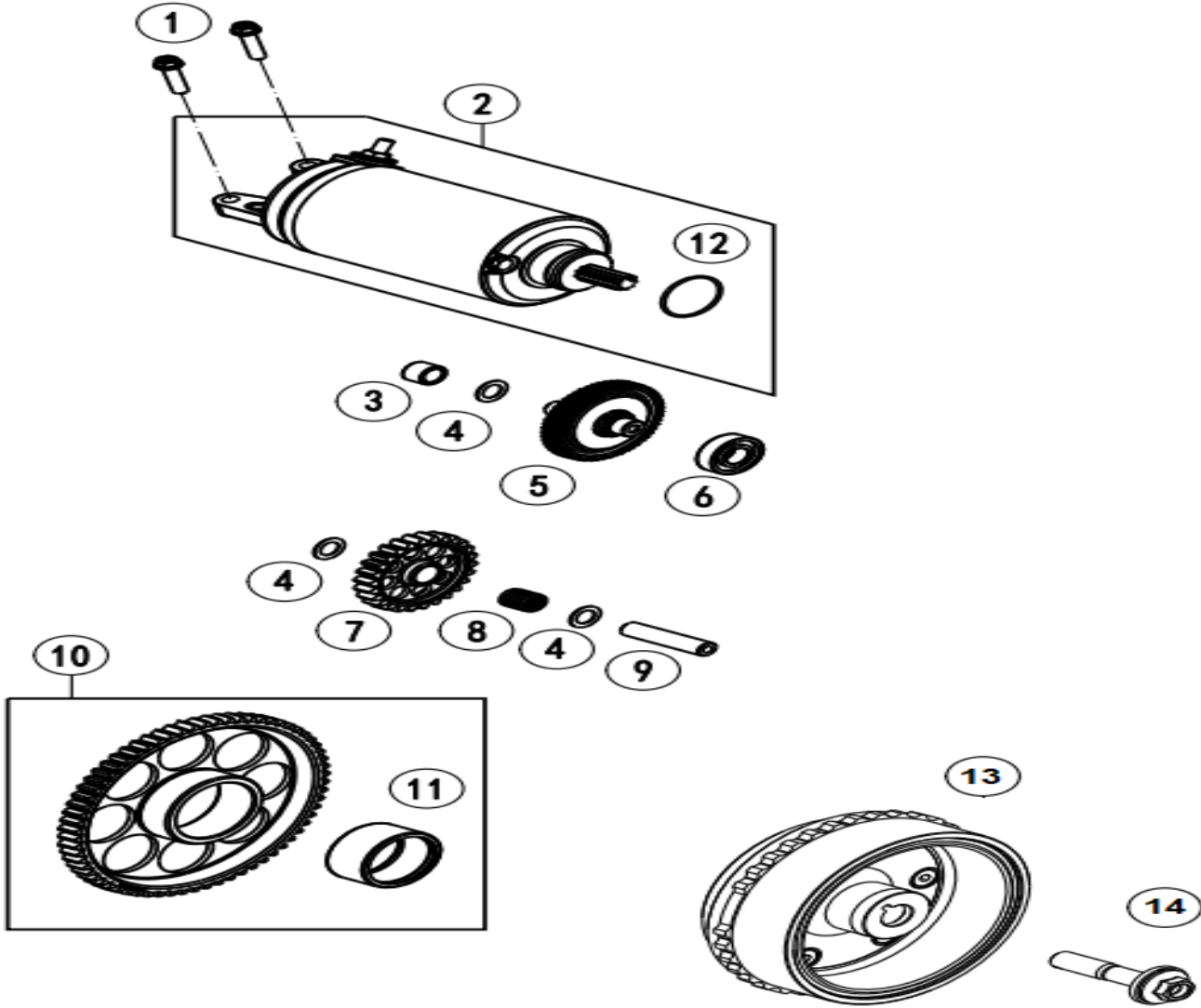
NO.	CODE	EN DESCRIPTION	QTY	REMARKS
E07-38	C0770170200	O-RING 17X2	1	
E07-40	C90038015200	OILFILTER(WITH BYPASS)	1	
E07-41	C07700390261	O-RING 39,34X2,62	1	
E07-42	C90038041200	OILFILTER COVER	1	
E07-43	C0025050166	SCREW M5X16	2	
E07-44	C90030024000	FITTING SLEEVE 6X8X11	3	
E07-45	C0025060356	SCREW M6X35	5	
E07-46	C0025060306	SCREW M6X30	10	
E07-47	C0770060025	O-RING 6X2,5	2	
E07-48	C0025080166S	CYL. SCREW M8X16	1	
E07-49	C0770070025	O-RING 7X2,5	1	
E07-99	C00050000068	OILFILTER SERVICE KIT	1	

E08 WATER PUMP COVER



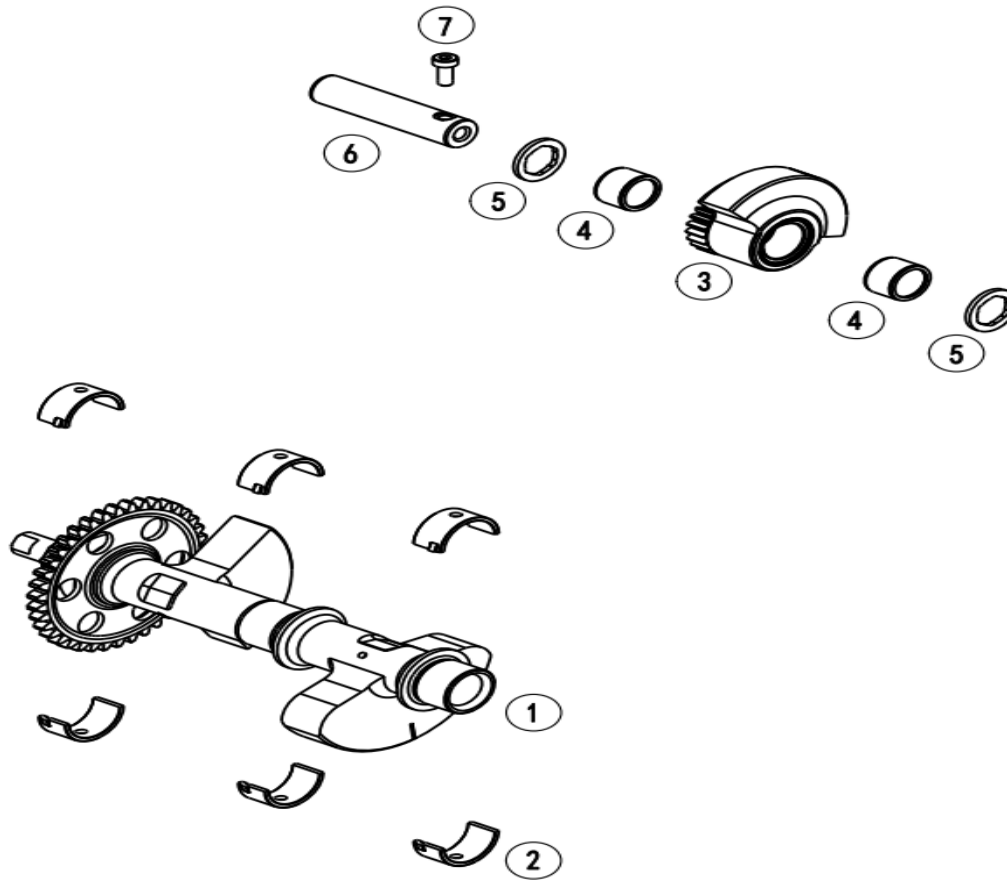
NO.	CODE	EN DESCRIPTION	QTY	REMARKS
E08-01	C90035052000FBP	WATER PUMP COVER	1	
E08-02	C90035053100	WATER PUMP COVER GASKET	1	
E08-03	C0024060136S	SCREW M6X13	1	
E08-04	C90035055000	WATER PUMP WHEEL	1	
E08-05	C90035055150	SUPPORT DISC	1	
E08-06	K0760153459	SHAFT SEAL RING	1	
E08-07	C90036072020	WEAR BUSHING	1	
E08-08	C07700900151	O-RING 9X1,5	1	
E08-09	C0025060306S	SCREW M6X30	5	
E08-10	C90030024000	FITTING SLEEVE 6X8X11	2	
E08-11	C0025060126	SCREW M6X12	1	
E08-12	C0603061002	SEAL RING 6/10/1	1	

E09 STARTER



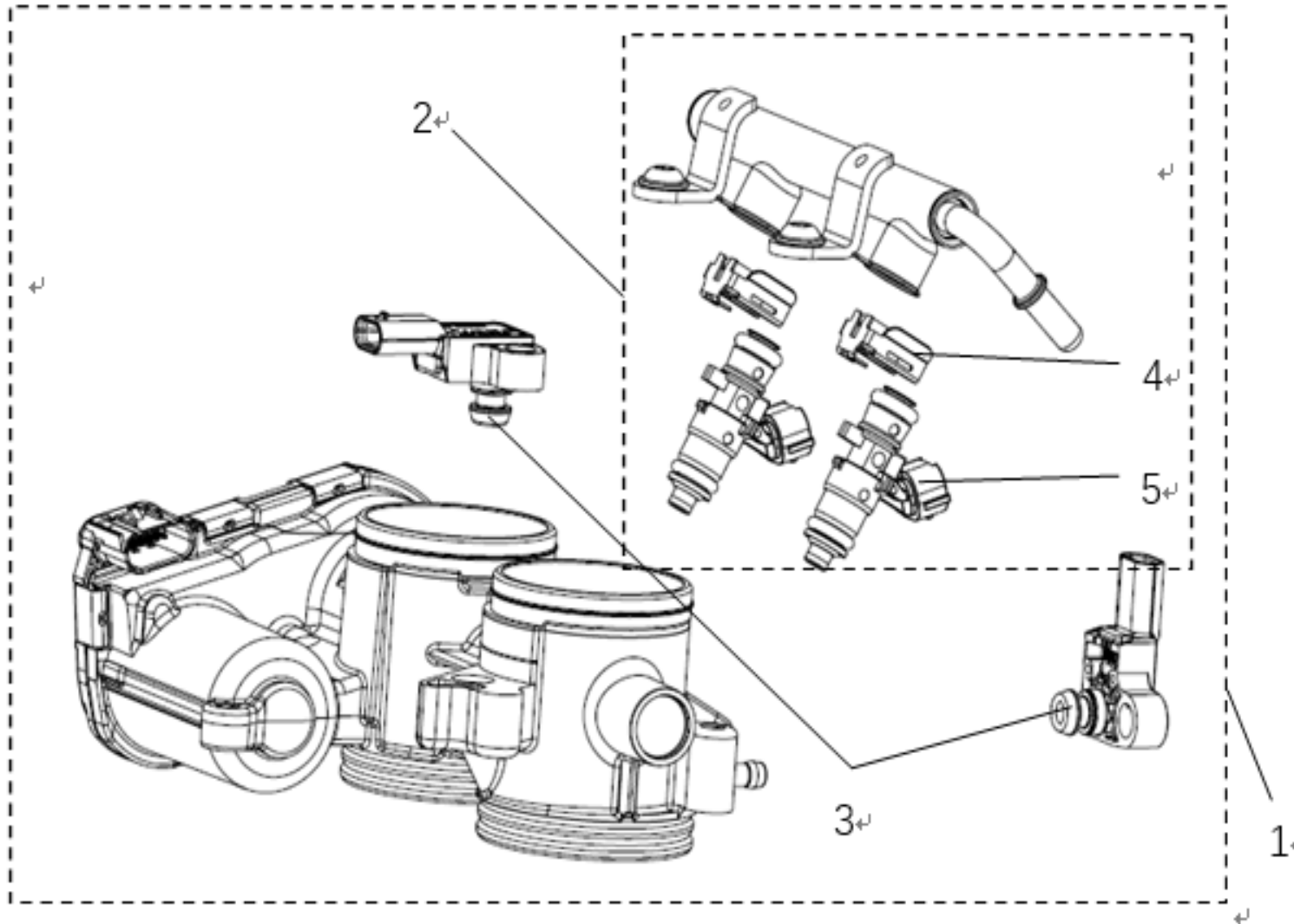
NO.	CODE	EN DESCRIPTION	QTY	REMARKS
E09-01	C0025060256	SCREW M6X25	2	
E09-02	C90040001000	E STARTER MOTOR 9Z	1	
E09-03	C0618101410	NEEDLE SLEEVE 10/14/10	1	
E09-04	C90038007010	THRUST WASHER 10/16/0,5	3	
E09-05	C90040017100	TORQUE LIMITER CPL. 10/55Z	1	
E09-06	C0625060016	BEARING 12/28/8 (TORQUE LIMITER)	1	
E09-07	C90040022000	STARTER IDLER GEAR 26Z	1	
E09-08	C90040090000	NEEDLE BEARING 10/13/13	1	
E09-09	C90040029000	BEARING BOLT	1	
E09-10	C90040020000	FREEWHEEL GEAR CPL. 66Z	1	
E09-11	C0618354220	NEEDLE SLEEVE 35/42/20 HK3520	1	
E09-12	C0770244031	O-RING 24.40X3.10 NBR 70	1	
E09-13	C90040124000	ONE WAY CLUTCH CPL.	1	
E09-14	C0025060166S	SCREW M6X16	1	

E16 BALANCER SHAFT



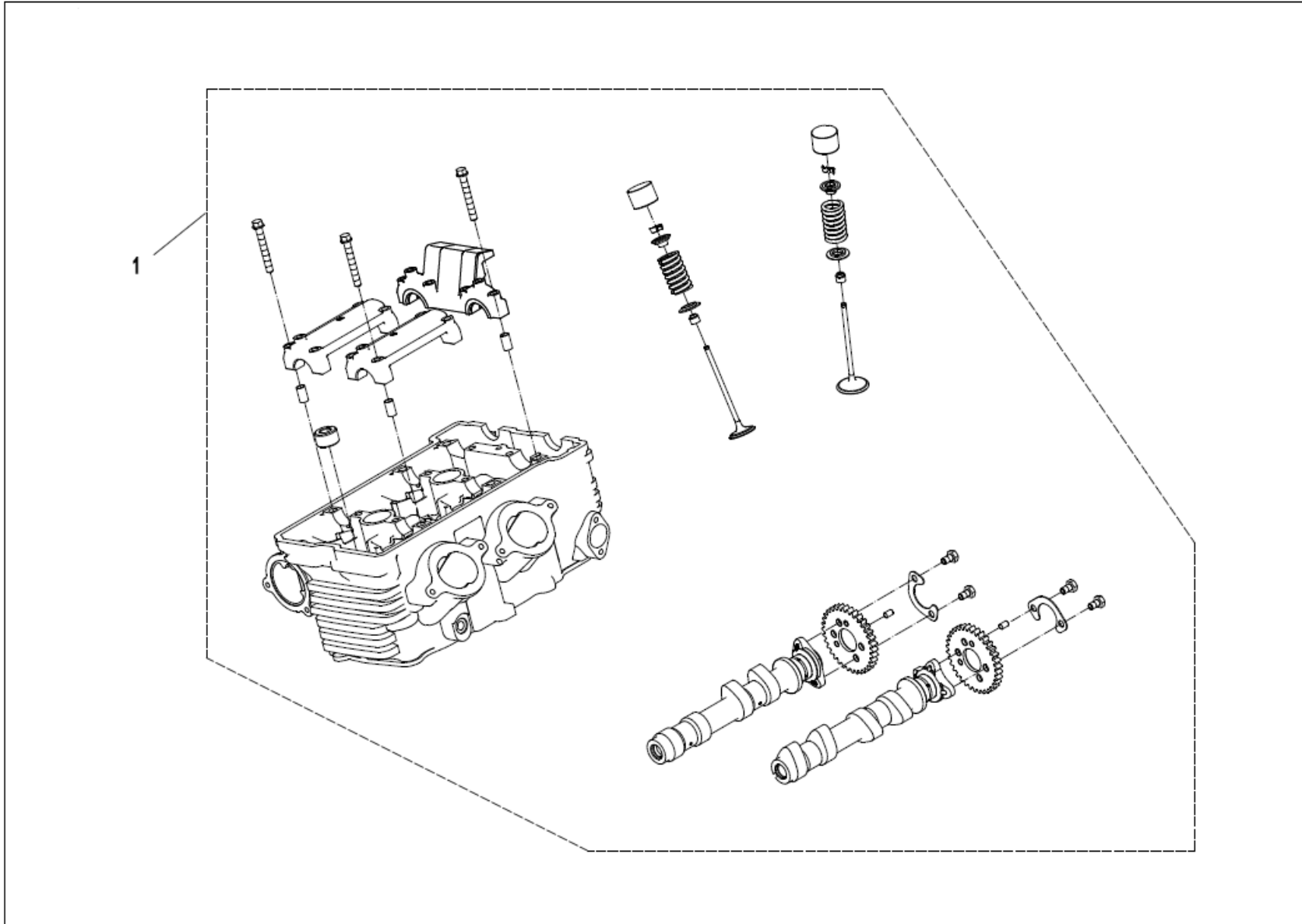
NO.	CODE	EN DESCRIPTION	QTY	REMARKS
E16-01	C90030057044	BALANCING SHAFT FRONT CPL.	1	
E16-02	C90030057050	BEARING SHELL BALANCER SHAFT	6	
E16-03	C90030059100	BALANCING SHAFT ABOVE CPL.	1	
E16-04	C0405151913	NEEDLE BEARING 15/19/13	2	
E16-05	C90030059060	THRUST WASHER	2	
E16-06	C90030059050	BEARING BOLT	1	
E16-07	C09840501235	BOLT DIN6912 M5X12 8.8	1	

E17 THROTTLE&INJECTOR



NO.	CODE	EN DESCRIPTION	QTY	REMARKS
E17-01	OPW0-173000	THROTTLE BODY ASSY	1	
E17-02	OPW0-171000	FUEL PIPE ASSY	1	
E17-03	OHU0-173200	AIR INTAKE PRESSURE SENSOR	2	
E17-04	OJYA-170001	CLASP	2	
E17-05	OPW0-171100	FUEL INJECTOR	2	

E21 CYLINDER HEAD SYSTEM KIT



NO.	CODE	EN DESCRIPTION	QTY	REMARKS
E21-01	C9003609900024	REPAIR KIT CYLINDER HEAD FOR CFMOTO	1	
E21-01	C90036099000FBP	CYLINDER HEAD	1	